

A
B
C
D
E
F
G
H

A
B
C
D
E
F
G
H

PLANS FOR CONSTRUCTION DUPONT DREDGE CELL CAP IMPROVEMENTS WORK PLAN 8 (JOF-100716-WP-8) JOHNSONVILLE FOSSIL PLANT NEW JOHNSONVILLE, HUMPHREYS COUNTY, TENNESSEE

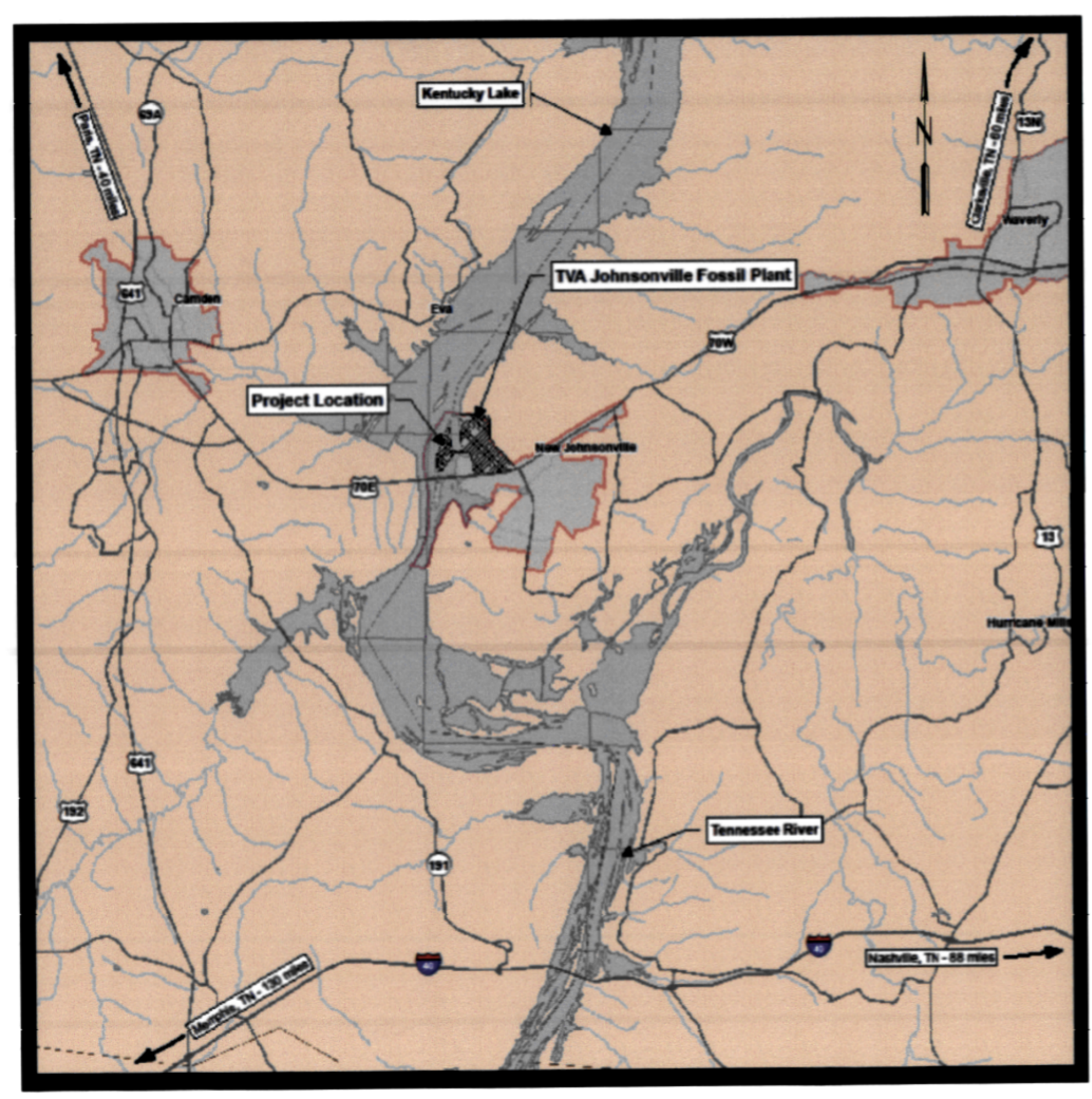
PREPARED FOR

TENNESSEE VALLEY AUTHORITY

PREPARED BY



Stantec Consulting Services Inc.
601 Grassmere Park Road
Suite 22
Nashville, Tennessee 37211
Tel. 615.885.1144
Fax 615.885.1102
www.stantec.com



6000 0 12000 24000 FEET
GRAPHIC SCALE
VICINITY MAP

INDEX OF SHEETS

10W217-01	COVER SHEET
10W217-02	GENERAL NOTES
10W217-03	EXISTING CONDITIONS
10W217-04	LAYOUT PLAN
10W217-05	SECTIONS
10W217-06	DETAILS
10W217-07	EROSION AND SEDIMENT CONTROL PLAN
10W217-08	BORING LOGS

RECORD DRAWING

PROJECT REVISION HISTORY									
REV. NO.	DATE	BY	CHKD.	APPD.	ISSD.	PROJECT	AS CONST.	NO.	DESCRIPTION
R 1	09/30/10	RGS	RGS	SHB	SHB	RLS	MST	JCK	
REVISION NO. 1									
R 2	11/23/10	RGS	RGS	SHB	SHB	RLS	MST	JCK	
REVISION NO. 2									
R 3	07/01/11	RGS	RGS	SHB	SHB	RLS	MST	JCK	
REVISION NO. 3									
R 4	02/13/12	RGS	RRP	PJC	SHB	RLS	MST	JCK	
ISSUED AS-BUILT AS PER WORK PLAN 8 (JOF-100716-WP-8)									
R 0	07/16/10	RGS	PS	JWH	SHB	RLS	MST	JCK	
ISSUED FOR CONSTRUCTION									

FOR SUPPORTING DESIGN CALCULATIONS
SEE FPGJOFFESCDX00000020100007



Stantec Consulting Services Inc.
601 Grassmere Park Road
Suite 22
Nashville, Tennessee 37211
Tel. 615.885.1144
Fax 615.885.1102
www.stantec.com

SCALE: NONE EXCEPT AS NOTED									
YARD DUPONT DREDGE CELL - PERMIT # IDL 43-102-0082 CAP IMPROVEMENTS COVER SHEET WORK PLAN 8 (JOF-100716-WP-8)									
DESIGNED BY	DRAWN BY	CHECKED BY	REVIEWED BY	APPROVED BY	ISSUED BY				
R.G. SCHUFF	P. SILPACHARN	J.W. HALL	S.H. BICKEL	R.L. SANCHEZ	M.S. TURNBOW	J.C. KAMMEYER			
JOHNSONVILLE FOSSIL PLANT TENNESSEE VALLEY AUTHORITY FOSSIL AND HYDRO ENGINEERING									
AUTOCAD R 2000	DATE	07/16/10	49	C	10W217-01	R 4			

GENERAL NOTES

- DEFINITIONS: WHENEVER THE FOLLOWING TERMS ARE USED IN THESE PLANS FOR CONSTRUCTION, IT IS UNDERSTOOD THAT THEY REPRESENT THE FOLLOWING:
 CONTRACTOR: THE TENNESSEE VALLEY AUTHORITY (TVA) CIVIL PROJECTS OR OTHER PRIVATE CONTRACTING ENTITY WHICH IS RESPONSIBLE FOR CONSTRUCTION FOR THIS PROJECT (OR THEIR DESIGNEE).
 TDEC: TENNESSEE DEPARTMENT OF ENVIRONMENT AND CONSERVATION WHICH IS THE REGULATORY AUTHORITY FOR THE SITE.
 ENGINEER: STANTEC CONSULTING SERVICES INC.
 OWNER: TENNESSEE VALLEY AUTHORITY - JOHNSONVILLE FOSSIL PLANT
 TDOT: THIS MEANS THE TENNESSEE DEPARTMENT OF TRANSPORTATION AND SPECIFICALLY REFERENCES THE "STANDARD TECHNICAL SPECIFICATIONS FOR ROAD AND BRIDGE CONSTRUCTION", CURRENT EDITION. ANY MATERIAL DESIGNATED AS "TDOT" IS TO CONFORM TO THE MATERIAL STANDARDS NOTED AND PLACEMENT/INSTALLATION METHODOLOGY SPECIFIED IN THE CURRENT EDITION OF THE "STANDARD TECHNICAL SPECIFICATIONS FOR ROAD AND BRIDGE CONSTRUCTION".
 CONSTRUCTION QUALITY CONTROL (QC) PLAN: REFERS TO A DOCUMENT THAT ESTABLISHES MINIMUM QUALITY CONTROL REQUIREMENTS, TESTING FREQUENCY AND QUALITY OVERSIGHT RESPONSIBILITY.
 COAL COMBUSTION PRODUCTS (CCP) INCLUDING BOTTOM ASH AND FLY ASH.
 CONSTRUCTION MANAGER: RESPONSIBLE FOR CONSTRUCTION ACTIVITY TO INCLUDE BUT NOT BE LIMITED TO THE CHARACTER AND SEQUENCE OF WORK, COORDINATION AND SCHEDULING.
- THESE PLANS FOR CONSTRUCTION ARE PRESENTED AS AN AID IN PROJECT CONSTRUCTION BUT SHOULD NOT BE CONSTRUED AS THE ONLY REFERENCE NEEDED. CONTRACTOR SHALL BECOME FAMILIAR WITH, AND ADHERE, TO THE TECHNICAL SPECIFICATIONS, THE QC PLAN AND APPLICABLE ENVIRONMENTAL AND SAFETY REGULATIONS.
- TOPOGRAPHIC INFORMATION SHOWN IN THE PLANS FOR CONSTRUCTION IS DATED AND DOES NOT REFLECT CHANGES SINCE THE TIME OF THE SURVEY.
- A GEOTECHNICAL REPORT TITLED "REPORT OF GEOTECHNICAL EXPLORATION AND EVALUATION OF SLOPE STABILITY" DATED APRIL 19, 2010 AND PREPARED BY STANTEC IS AVAILABLE FROM THE ENGINEER OR OWNER. THE SUBSURFACE INFORMATION AND DATA FURNISHED HEREIN ARE NOT INTENDED AS REPRESENTATIVE OR WARRANTIES BUT ARE FURNISHED FOR INFORMATION ONLY. IT SHALL BE DISTINCTLY UNDERSTOOD THAT THE OWNER, ENGINEER OR GEOTECHNICAL ENGINEER WILL NOT BE RESPONSIBLE FOR ANY DEVIATION, INTERPRETATION OR CONCLUSION DRAWN THEREFROM BY THE CONTRACTOR. THE INFORMATION IS MADE AVAILABLE IN ORDER THAT THE CONTRACTOR MAY HAVE READY ACCESS TO THE SAME INFORMATION AVAILABLE TO THE OWNER, ENGINEER AND GEOTECHNICAL ENGINEER AND IS NOT PART OF THIS CONTRACT.
- IT SHALL BE THE CONTRACTOR'S RESPONSIBILITY TO VERIFY THAT ALL UNDERGROUND UTILITIES DISCOVERED DURING THE UNDERGROUND LOCATING SWEEPS ARE RELOCATED OR OTHERWISE PROTECTED IN FULL COMPLIANCE WITH ANY REQUIREMENTS OF THE PLANT- ISSUED EXCAVATION PERMIT TO THE SATISFACTION OF AND IN ACCORDANCE WITH OWNER PROCESSES AND PROCEDURES PRIOR TO THE GROUND DISTURBING ACTIVITIES, INCLUDING THE BORROW AREAS. WHERE UTILITIES ARE SHOWN OR INDICATED ON THE PLANS FOR CONSTRUCTION, THE INFORMATION GIVEN IS IN ACCORDANCE WITH THE BEST AVAILABLE INFORMATION IN THE ENGINEER'S POSSESSION, BUT IS APPROXIMATE IN NATURE. THE DATA IS NOT WARRANTED TO BE EITHER COMPLETE OR CORRECT.
- THE CONTRACTOR SHALL MAKE A CONCERTED EFFORT TO PREVENT ANY DISRUPTION OF UTILITY SERVICES, AND IF ANY UNINTENDED DISRUPTION OCCURS, THE CONTRACTOR SHALL COORDINATE THE SAFE AND IMMEDIATE RESTORATION OF THE SERVICE. IF DISRUPTION OF ANY UTILITY SERVICES IS UNAVOIDABLE, IT SHALL BE THE RESPONSIBILITY OF THE CONTRACTOR TO NOTIFY AFFECTED UTILITY USERS AND UTILITY OWNERS 48 HOURS IN ADVANCE. THE CONTRACTOR SHALL ALSO MAKE EVERY EFFORT TO RESTORE SAID SERVICES BEFORE QUITTING WORK FOR THE DAY. IN THE EVENT THIS CANNOT BE DONE, THE CONTRACTOR SHALL PROVIDE TEMPORARY SERVICE TO THE PROPERTY OWNERS UNTIL PERMANENT SERVICE CAN BE RESTORED.
- THE CONTRACTOR SHALL PROTECT ALL WORK AND STAGING AREAS FROM INTRUSION BY UNAUTHORIZED PERSONNEL.
- EXISTING GEOTECHNICAL INSTRUMENTATION IS SHOWN ON THE PLANS FOR CONSTRUCTION. THE CONTRACTOR SHALL PROTECT THIS INSTRUMENTATION FROM DAMAGE. THE CONTRACTOR SHALL INSTALL PROTECTIVE BOLLARDS IN ACCORDANCE WITH OWNER STANDARDS AROUND SAID INSTRUMENTATION AND EXTEND SAME. ORANGE SAFETY FENCE SHALL BE WRAPPED AROUND THE BOLLARD TO DENOTE LIMITED ACCESS. COMPACTION OF MATERIALS AROUND GEOTECHNICAL INSTRUMENTATION SHALL BE PERFORMED BY MANUALLY OPERATED TAMPING DEVICES. THIS INSTRUMENTATION SHALL BE EXTENDED UPWARD DURING THE COURSE OF THE WORK AS DESCRIBED IN A SEPARATE SET OF CONSTRUCTION DOCUMENTS AND IN ACCORDANCE WITH ESTABLISHED OWNER PROCEDURES.
- THE CONTRACTOR SHALL PRESENT A MANAGEMENT OF TRAFFIC (M.O.T.) PLAN FOR APPLICABLE AGENCY APPROVAL AND COORDINATION WITH ADJACENT PROPERTY OWNERS.
- THE CONTRACTOR SHALL BE RESPONSIBLE FOR HEALTH AND SAFETY OF ITS PERSONNEL AND SHALL MEET INDUSTRY STANDARD REQUIREMENTS. THE CONTRACTOR SHALL ADHERE TO OWNER REQUIREMENTS FOR SAFETY AND CONSTRUCTION.
- THE CONTRACTOR SHALL BE RESPONSIBLE FOR OBTAINING TDOT AND/OR COUNTY PERMITS RELATED TO ANY WORK AFFECTING FEATURES, STRUCTURES, TRAFFIC, ETC. AS RELATED TO COUNTY ROAD ADJACENT TO SITE.
- THE CONTRACTOR SHALL BE RESPONSIBLE FOR THE MAINTENANCE OF ALL ACCESS ROADS, STAGING AREAS AND STORAGE AREAS USED DURING CONSTRUCTION, AND SHALL RESTORE SAID AREAS TO THEIR ORIGINAL CONDITION, OR BETTER ONECE CONSTRUCTION IS COMPLETE UNLESS THE OWNER GIVES WRITTEN PERMISSION TO THE CONTRACTOR TO RETAIN THE AREA "AS IS".
- THE CONTRACTOR SHALL CONDUCT ALL OPERATIONS IN ACCORDANCE WITH APPLICABLE ENVIRONMENTAL PERMITS, RULES, LAWS AND REGULATIONS.
- THE CONTRACTOR IS RESPONSIBLE FOR SITE DRAINAGE THROUGHOUT CONSTRUCTION AND SHALL INSTALL TEMPORARY DRAINAGE STRUCTURES OR PUMP WATER AS NECESSARY TO PREVENT INTERFERENCE WITH THE WORK. SUCH TEMPORARY DRAINAGE FEATURES SHALL BE PERFORMED IN ACCORDANCE WITH THE REQUIREMENTS OF ENVIRONMENTAL PERMITS AND THE JOHNSONVILLE STORMWATER POLLUTION PREVENTION PLAN (SWPPP).
- VEGETATIVE AND ORGANIC MATERIALS SHALL BE REMOVED AS DESCRIBED IN THE TECHNICAL SPECIFICATIONS.
- MATERIALS DELIVERED FOR INCORPORATION INTO THE WORK SHALL BE TEMPORARILY STORED IN AREAS SELECTED BY THE CONTRACTOR AND APPROVED BY TVA. MATERIALS SHALL BE STORED IN ACCORDANCE WITH THE MANUFACTURER'S RECOMMENDATIONS. CONTRACTOR SHALL AVOID STAGING SPOIL, DEBRIS, OR ANY MATERIALS IN AREAS WHERE POTENTIAL DAMAGE TO GEOSYNTHETIC MATERIALS MIGHT OCCUR.
- THE EROSION AND SEDIMENT CONTROL PLAN MEASURES SHOWN SHALL BE CONSIDERED THE MINIMUM; SUPPLEMENTAL MEASURES SHALL BE PROVIDED BY THE CONTRACTOR AS FIELD CONDITIONS DICTATE OR AS DIRECTED BY THE REGULATORY AUTHORITY.
- DURING CONSTRUCTION, THE CONTRACTOR SHALL INSPECT, CLEAN, AND MAINTAIN ALL SEDIMENT CONTROL DEVICES AS SHOWN ON THE PLANS FOR CONSTRUCTION AND PROVIDE REPORTING AS REQUIRED BY THE TECHNICAL SPECIFICATIONS AND REGULATIONS ON SAID ITEMS.
- THE CONTRACTOR SHALL CONTROL FUGITIVE DUST EMISSIONS DURING CONSTRUCTION IN SUCH A MANNER AS TO COMPLY WITH APPLICABLE REGULATIONS. DUST CONTROL MEASURES SHALL BE SUBJECT TO APPROVAL OF THE QC MANAGER AND THE OWNER.
- STOCKPILES SHALL BE PLACED IN UNIFORM 24" LIFTS OVER THE EXTENT OF THE QC MANAGER APPROVED STOCKPILE LIMITS. THE SECOND STOCKPILE LIFT SHALL NOT BE PLACED WITHIN 3 DAYS OF THE FIRST LIFT UNLESS APPROVED BY THE QC MANAGER.
- LOCATIONS AND SIZE OF TEMPORARY STOCKPILES SHALL BE APPROVED BY THE QC MANAGER AND OWNER PRIOR TO MATERIAL PLACEMENTS.
- STOCKPILES SHALL BE GRADED TO MAINTAIN POSITIVE DRAINAGE AT ALL TIMES. THE SIDE SLOPES SHALL HAVE MAXIMUM 6H:1V SLOPE. THE TOP OF THE STOCKPILE SHALL HAVE A MINIMUM TWO PERCENT SLOPE. MATERIALS SHALL BE SEGREGATED AS DIRECTED BY TVA'S CONSTRUCTION QUALITY CONTROL MANAGER.
- ALL PIPE TRENCHING SHALL BE CONDUCTED IN STRICT ACCORDANCE WITH APPLICABLE TVA AND OSHA PROCESS AND PROCEDURE REQUIREMENTS.
- CERTIFICATIONS OF MATERIAL QUALITY AND CONFORMANCE TO PROJECT REQUIREMENTS SHALL BE SUBMITTED TO THE QC MANAGER FOR APPROVAL PRIOR TO INSTALLATION.
- THE CONTRACTOR SHALL DEVELOP A HAUL ROAD PLAN PRIOR TO INITIATION OF CONSTRUCTION AND SUBMIT IT TO THE QC MANAGER FOR APPROVAL.
- THE OWNER WILL PROVIDE CONSTRUCTION LAYOUT SURVEYING SERVICES. SURVEY CONTROL WILL BE BASED ON GPS SURVEYING TECHNIQUES. THE CONTRACTOR SHALL BE RESPONSIBLE FOR COORDINATION OF ALL CONSTRUCTION RELATED SURVEYING. ANY ESTABLISHED OWNER BENCH MARKS OR OTHER MONUMENTS SHALL BE PRESERVED AND PROTECTED. ANY ESTABLISHED MARKER OR BENCHMARK THAT IS DAMAGED BY CONSTRUCTION ACTIVITIES SHALL BE REPLACED BY OWNER SURVEYING SERVICES.
- THE CONSTRUCTION MANAGER SHALL COMMUNICATE CONSTRUCTION ISSUES, PROBLEMS OR DISCREPANCIES IN THE PLANS FOR CONSTRUCTION TO THE ENGINEER OF RECORD AND OWNER IMMEDIATELY UPON BECOMING AWARE OF SUCH PROBLEMS.

SPECIAL CONDITIONS

- ~~FOLLOWING THE INSTALLATION OF THE LEACHATE COLLECTION SYSTEM, THE CONTRACTOR SHALL BE RESPONSIBLE FOR PUMPING AND HAULING LEACHATE FROM THE COLLECTION SYSTEM TO THE FLY ASH POND OR OTHER LOCATION AT THE JOHNSONVILLE FOSSIL PLANT AS DIRECTED BY THE OWNER. THIS PUMPING AND HAULING SHALL CONTINUE UNTIL LEACHATE NO LONGER FLOWS TO THE SUMP OR UNTIL SUBSTANTIAL COMPLETION OF THE PROJECT.~~
- ACCEPTABLE SOIL STOCKPILE LOCATIONS, MAXIMUM SLOPES, AND MAXIMUM DEPTHS ARE SHOWN ON SHEET 03.
- EXCAVATED ASH SHALL BE HAULED TO THE JOF ACTIVE ASH CELL FOR DISPOSAL.

MATERIAL SPECIFICATIONS:

- RIP-RAP SHALL MEET TDOT SPECIFICATIONS FOR MATERIALS AND INSTALLATION-CLASS A-1.
- GEOTEXTILE SHALL MEET TDOT SPECIFICATIONS FOR MATERIALS AND INSTALLATION-TYPES I AND IV AS INDICATED ON PLANS.
- VEGETATIVE COVER (IMPORT) SHALL BE SOIL SUITABLE TO SUPPORT VEGETATION CONSISTING OF FRIBLE NATURAL SURFACE SOIL; REASONABLY FREE FROM SUBSOIL, CLAY LUMPS, BRUSH, WEEDS AND OTHER LITTER; FREE OF ROOTS, STUMPS, STONES LARGER THAN 2", CHEMICALS AND OTHER EXTRANEOUS OR TOXIC MATTER HARMFUL TO PLANT GROWTH.
- POLYETHYLENE PIPE (PE) SHALL BE ADS N-12 SOLID WALL OR PERFORATED AS INDICATED ON PLANS.
- AGGREGATE SHALL MEET TDOT SPECIFICATION SECTION 903.
- DENSE GRADED AGGREGATE BASE SHALL MEET TDOT SPECIFICATION 903.05 GRADING O.
- GEOSYNTHETIC CLAY LINER (GCL) - SEE PROJECT SPECIFICATIONS
- LINEAR LOW DENSITY POLYETHYLENE (LLDPE) - SEE PROJECT SPECIFICATIONS
- GEOCOMPOSITE - SEE PROJECT SPECIFICATIONS

SUBMITTAL REQUIREMENTS:

- SUBMITTALS (PRODUCT DATA) SHALL BE PROVIDED TO THE ENGINEER IN QUADRUPLICATE PRIOR TO PURCHASING OF MATERIALS.
- SUBMITTALS SHALL BE MADE FOR ALL MATERIALS AND PRODUCTS FURNISHED BY THE CONTRACTOR FOR INCORPORATION INTO THE WORK.
- WITHIN 10 DAYS OF NOTICE OF AWARD, CONTRACTOR SHALL PROVIDE A DETAILED CONSTRUCTION SCHEDULE AND A LIST OF SUBMITTALS TO BE PROVIDED.
- SUBMITTALS SHALL BE PROVIDED FOR, BUT NOT LIMITED TO, THE FOLLOWING MATERIALS:

- GEOSYNTHETIC CLAY
- LINEAR LOW-DENSITY POLYETHYLENE
- GEOCOMPOSITE
- GEOTEXTILE (TYPE I AND IV)
- STONE (DENSE GRADED AGGREGATE BASE, #57, CLASS A-1 RIP-RAP)
- PIPE AND FITTINGS (PE)
- PRE-CAST MANHOLES
- CASTINGS
- SILT FENCE
- FLEXTERRA
- HYDROSEED MIX

PROJECT PHASING

- CONTRACTOR TO COMPLETE INSTALLATION OF EPSC MEASURES, PERIMETER ACCESS ROAD, RIP-RAP PLACEMENT AND PHASE 1 OF LOW PERMEABILITY CAP INSTALLATION DURING 2010. REMAINDER OF WORK SHALL BE DONE FOLLOWING SPRING WET WEATHER PERIOD AS DIRECTED BY TVA. EXTENT OF PHASE 1 CAP SHALL BE AS SHOWN ON SHEET 10W217-04. TEMPORARY CAP TERMINATION DETAIL IS ON SHEET 10W217-05.

ROAD CENTERLINE				DESCRIPTION
STA	NORTHING	EASTING		
0.00	603,540.13	1,414,619.32		START
434.09	603,967.32	1,414,542.23		PC
				RADIUS=201.00
602.45	604,126.11	1,414,581.13		PT
718.76	604,218.06	1,414,652.36		PC
				RADIUS=199.00
832.18	604,322.20	1,414,693.25		PT
916.09	604,405.78	1,414,700.72		PC
				RADIUS=126.00
1105.51	604,520.53	1,414,828.97		PT
1300.62	604,516.28	1,415,024.03		PC
				RADIUS=126.00
1491.59	604,394.52	1,415,147.21		PT
2307.93	603,578.63	1,415,174.47		PI
2858.79	603,027.77	1,415,175.18		PI
3163.67	602,722.95	1,415,169.70		PC
				RADIUS=316.00
3255.99	602,632.58	1,415,152.51		PCC
				RADIUS=46.88
3333.96	602,605.89	1,415,088.56		PCC
				RADIUS=141.37
3408.62	602,645.90	1,415,026.56		PT
3531.50	602,742.18	1,414,950.19		PI
3827.64	602,975.89	1,414,768.31		PC
				RADIUS=401.00
4022.51	603,151.95	1,414,689.37		PT
4416.95	603,540.12	1,414,619.32		END

ESTIMATED QUANTITIES*		
ITEM	QUANTITY	UNITS
PHASE 1		
MOBILIZATION	1.00	LS
SITE MOWING	16.5	ACRES
CLEARING AND GRUBBING	0.5	ACRES
STRIP AND STOCKPILE TOPSOIL	11,700	CY
STRIP AND STOCKPILE VEGETATIVE SOIL	23,400	CY
FINISH GRADING AND ROLLING	70,200	SY
LLDPE (SMOOTH-PHASE 1)	487,350	SF
LLDPE (TEXTURED-PHASE 1)	107,350	SF
GEOCOMPOSITE (ONE SIDED GEOTEXTILE-PHASE 1)	487,350	SF
GEOCOMPOSITE (TWO SIDED GEOTEXTILE-PHASE 1)	136,950	SF
23/32 X 4X8 -OSB-PHASE 1	918	EA
PLACE AND SPREAD STOCKPILED SOIL	23,400	CY
IMPORT AND SPREAD ADDITIONAL COVER	15,825	CY
PLACE AND SPREAD TOPSOIL FROM STOCKPILE	11,700	CY
GEOTEXTILE UNDER ROAD (TDOT TYPE IV)	7,800	SY
DENSE GRADED AGGREGATE BASE	2,600	CY
CLASS 1A RIP-RAP ARMORING	6,100	TONS
GEOTEXTILE UNDER ARMORING (TYPE I)	3,490	SY
ROCK CHECK DAMS	1	EA
SILT FENCE	4,500	LF
CONSTRUCTION ENTRANCES	2	EA
FLEXTERRA AND HYDROSEED-ABOVE SLOPE BREAK	12.5	AC
SOD SLOPE BELOW ACCESS ROAD**	97,700	SF
SOD SLOPE BELOW SLOPE BREAK	87,300	SF
PHASE 2		
MOBILIZATION	1.00	LS
SITE MOWING	6.25	ACRES
STRIP VEGETATION	6.2	ACRES
EXCAVATE AND STOCKPILE TO EXPOSE CAP	5,445	CY
FINISH GRADING AND ROLLING	30,230	SY
EXCAVATE AND BACKFILL ANCHOR TRENCH	3,675	LF
LLDPE (TEXTURED-PHASE 2)	337,240	SF
GEOCOMPOSITE (TWO SIDED GEOTEXTILE-PHASE 2)	300,540	SF
CAP DRAINAGE COLLECTION TRENCH & PIPE	4,400	LF
#57 STONE (CAP DRAINAGE TRENCH BACKFILL)	620	CY
6" ADS N-12 OUTLET PIPE	450	LF
OUTLET PIPE HEADWALL (SD #ET-248)	11	EA
OUTLET CLASS 1A RIP-RAP	37	TONS
CLASS A-3 RIP-RAP BERM	1,740	TONS
TYPE IV GEOTEXTILE FOR BERM	1,970	SY
PLACE AND SPREAD STOCKPILED SOIL	5,445	CY
IMPORT AND SPREAD ADDITIONAL COVER	11,700	CY
IMPORT AND SPREAD TOPSOIL	5,710	CY
SOD-ABOVE ACCESS ROAD	263,500	SF
FLEXTERRA AND HYDROSEED-STOCKPILE AREA	1.55	ACRES

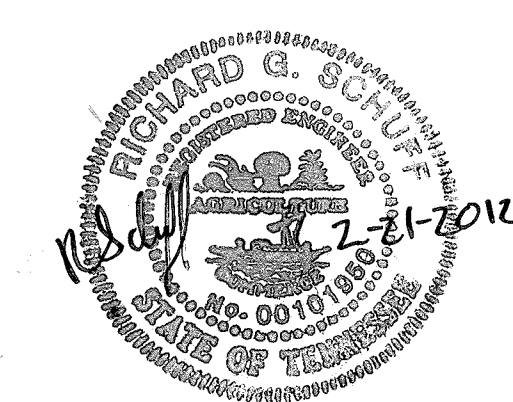
* ESTIMATED BID QUANTITIES ONLY. TABLE NOT UPDATED POST-CONSTRUCTION TO REFLECT ACTUAL QUANTITIES INSTALLED.

** INCLUDES STRIPPING AND REPLACING 6" TOPSOIL

PROJECT REVISION HISTORY

REV. NO.	DATE	DRWN	CHKD	SUPV	BY	ISSD	PROJECT	AS CONST	BY
R 1	09/30/10	RGS	RGS	SHB	SHB	RLS	MST	JCK	
REVISION NO. 1									
R 2	11/23/10	RGS	RGS	SHB	SHB	RLS	MST	JCK	
REVISION NO. 2									
R 3	06/15/11	RGS	RGS	SHB	SHB	RLS	MST	JCK	
REVISION NO. 3									
R 4	07/01/11	RGS	RGS	SHB	SHB	RLS	MST	JCK	
REVISION NO. 4									

FOR SUPPORTING DESIGN CALCULATIONS SEE FPGJOFFESC0X00000020100007



Stantec Consulting Services Inc.
601 Grassmere Park Road
Suite 22
Nashville, Tennessee 37211
Tel. 615.885.1144
Fax 615.885.1102
www.stantec.com

SCALE: NONE EXCEPT AS NOTED

YARD DUPONT DREDGE CELL - PERMIT # IDL 43-102-0082

CAP IMPROVEMENTS

GENERAL NOTES

WORK PLAN 8 (JOF-100716-WP-8)

DESIGNED BY	DRAWN BY	CHECKED BY	SUPERVISED BY	REVIEWED BY	APPROVED BY	ISSUED BY
R.G. SCHUFF	P. SILLPACHARN	J.W. HALL	S.H. BICKEL	R.L. SANCHEZ	M.S. TURNBOW	J.C. KAMMEYER

JOHNSONVILLE FOSSIL PLANT
TENNESSEE VALLEY AUTHORITY
FOSSIL AND HYDRO ENGINEERING

AUTOCAD R 2000 DATE 07/16/10 49 C 10W217-02 R 5

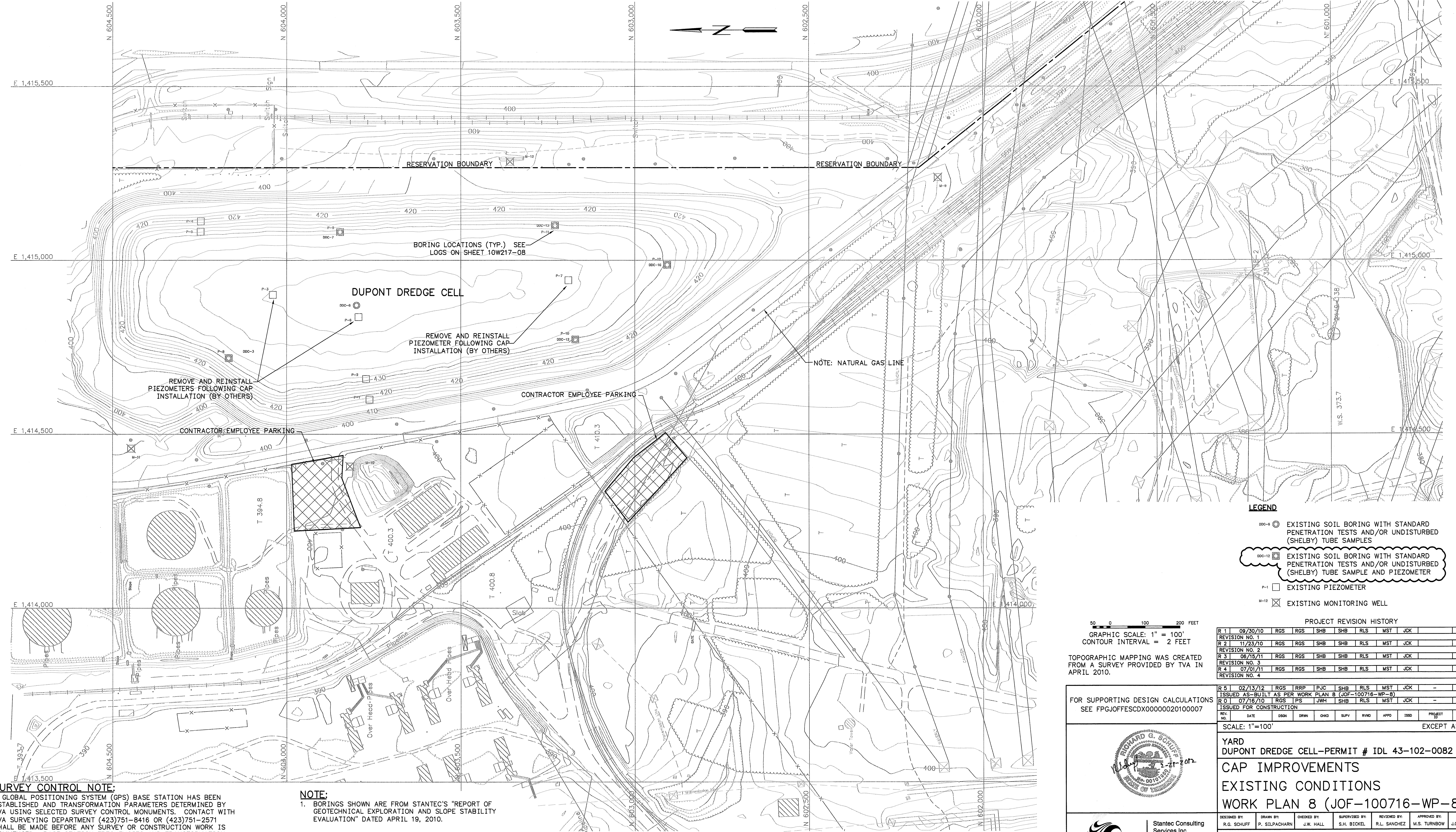
RECORD DRAWING

STANTEC TASK COMPLETED BY: 5 REV NO.

PLOT FACTOR: 1 W_TVA C.A.D. DRAWING DO NOT ALTER MANUALLY

A
B
C
D
E
F
G
H

A
B
C
D
E
F
G
H



BORING LOCATIONS (TYP.) SEE LOGS ON SHEET 10W217-08

DUPONT DREDGE CELL

REMOVE AND REINSTALL PIEZOMETER FOLLOWING CAP INSTALLATION (BY OTHERS)

REMOVE AND REINSTALL PIEZOMETERS FOLLOWING CAP INSTALLATION (BY OTHERS)

CONTRACTOR EMPLOYEE PARKING

CONTRACTOR EMPLOYEE PARKING

NOTE: NATURAL GAS LINE

LEGEND

- 000-4 EXISTING SOIL BORING WITH STANDARD PENETRATION TESTS AND/OR UNDISTURBED (SHELBY) TUBE SAMPLES
- 000-12 EXISTING SOIL BORING WITH STANDARD PENETRATION TESTS AND/OR UNDISTURBED (SHELBY) TUBE SAMPLE AND PIEZOMETER
- P-1 EXISTING PIEZOMETER
- M-12 EXISTING MONITORING WELL

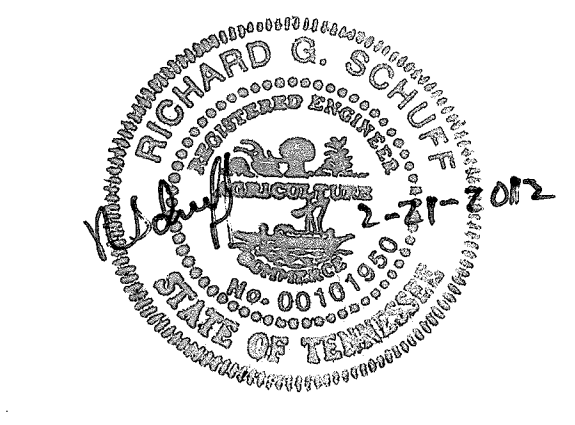
50 0 100 200 FEET
 GRAPHIC SCALE: 1" = 100'
 CONTOUR INTERVAL = 2 FEET

TOPOGRAPHIC MAPPING WAS CREATED FROM A SURVEY PROVIDED BY TVA IN APRIL 2010.

PROJECT REVISION HISTORY											
REV. NO.	DATE	DSGN	DRWN	CHKD	SLVP	RVND	APPD	ISSD	PROJECT	AS CONST	BY
R 1	09/30/10	RGS	RGS	SHB	SHB	RLS	MST	JCK			
REVISION NO. 1											
R 2	11/23/10	RGS	RGS	SHB	SHB	RLS	MST	JCK			
REVISION NO. 2											
R 3	05/15/11	RGS	RGS	SHB	SHB	RLS	MST	JCK			
REVISION NO. 3											
R 4	07/01/11	RGS	RGS	SHB	SHB	RLS	MST	JCK			
REVISION NO. 4											
R 5	02/13/12	RGS	RRP	PJC	SHB	RLS	MST	JCK			
ISSUED AS-BUILT AS PER WORK PLAN B (JOF-100716-WP-8)											
R 0	07/16/10	RGS	PS	JWH	SHB	RLS	MST	JCK			
ISSUED FOR CONSTRUCTION											

FOR SUPPORTING DESIGN CALCULATIONS SEE FPGJOFESCDX00000020100007

SCALE: 1"=100' EXCEPT AS NOTED



Stantec Consulting Services Inc.
 601 Grassmere Park Road
 Suite 22
 Nashville, Tennessee 37211
 Tel. 615.885.1144
 Fax 615.885.1102
 www.stantec.com

DESIGNED BY: R.G. SCHUFF	DRAWN BY: P. SILPACHARN	CHECKED BY: J.W. HALL	SUPERVISED BY: S.H. BICKEL	REVIEWED BY: R.L. SANCHEZ	APPROVED BY: M.S. TURNBOW	ISSUED BY: J.C. KAMMEYER
JOHNSONVILLE FOSSIL PLANT TENNESSEE VALLEY AUTHORITY FOSSIL AND HYDRO ENGINEERING						
AUTOCAD R 2000		DATE: 07/16/10	49	C	10W217-03	

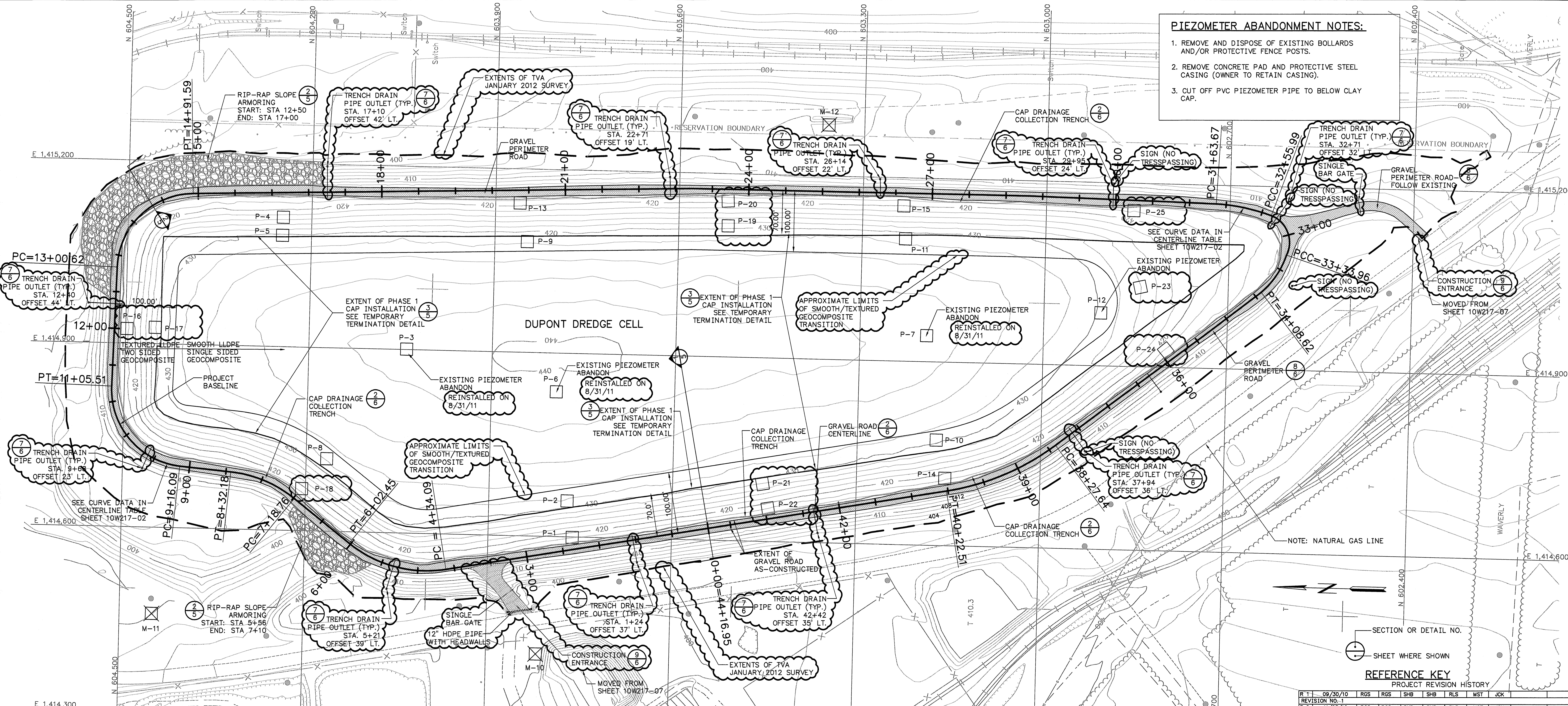
SURVEY CONTROL NOTE:
 A GLOBAL POSITIONING SYSTEM (GPS) BASE STATION HAS BEEN ESTABLISHED AND TRANSFORMATION PARAMETERS DETERMINED BY TVA USING SELECTED SURVEY CONTROL MONUMENTS. CONTACT WITH TVA SURVEYING DEPARTMENT (423)751-8416 OR (423)751-2571 SHALL BE MADE BEFORE ANY SURVEY OR CONSTRUCTION WORK IS COMMENCED. BASE STATION FREQUENCIES AND TRANSFORMATION PARAMETERS WILL BE PROVIDED TO THE CONTRACTOR FOR USE IN CONSTRUCTION ACTIVITIES AT THE SITE. PREVIOUSLY USED OR ESTABLISHED CONTROL POINTS AND MONUMENTS SHALL NOT BE USED BY THE CONTRACTOR WITHOUT PRIOR APPROVAL BY TVA SURVEYING DEPARTMENT.

NOTE:
 1. BORINGS SHOWN ARE FROM STANTEC'S "REPORT OF GEOTECHNICAL EXPLORATION AND SLOPE STABILITY EVALUATION" DATED APRIL 19, 2010.

RECORD DRAWING

PIEZOMETER ABANDONMENT NOTES:

1. REMOVE AND DISPOSE OF EXISTING BOLLARDS AND/OR PROTECTIVE FENCE POSTS.
2. REMOVE CONCRETE PAD AND PROTECTIVE STEEL CASING (OWNER TO RETAIN CASING).
3. CUT OFF PVC PIEZOMETER PIPE TO BELOW CLAY CAP.



LEGEND:

P-2 PIEZOMETER

--- EXTENTS OF JANUARY 2012 SURVEY

NOTES:

1. SEE CURVE INFORMATION IN ROAD CENTERLINE TABLE ON SHEET 10W217-02
2. TOPOGRAPHIC MAPPING WITHIN DEFINED BOUNDARY WAS PROVIDED BY TVA DATED JANUARY 25, 2012. OUTSIDE DEFINED BOUNDARY WAS PROVIDED BY TVA IN APRIL 2010.
3. ONCE FINAL CAP GEOSYNTHETIC MATERIALS HAVE BEEN INSTALLED AT ANY SPECIFIC AREA WITHIN THESE LIMITS AND COVER MATERIALS PLACED, NO STOCKPILING OR HEAVY EQUIPMENT TRAFFIC SHALL BE PERMITTED IN THAT AREA.
4. PIEZOMETERS P-19 THROUGH P-25 INSTALLED BETWEEN AUGUST 29, 2011 AND AUGUST 31, 2011.
5. PROTECTION FOR PIEZOMETERS WILL BE PERFORMED UNDER ANOTHER PROJECT.

SURVEY CONTROL NOTE:

A GLOBAL POSITIONING SYSTEM (GPS) BASE STATION HAS BEEN ESTABLISHED AND TRANSFORMATION PARAMETERS DETERMINED BY TVA USING SELECTED SURVEY CONTROL MONUMENTS. CONTACT WITH TVA SURVEYING DEPARTMENT (423)751-8416 OR (423)751-2571 SHALL BE MADE BEFORE ANY SURVEY OR CONSTRUCTION WORK IS COMMENCED. BASE STATION FREQUENCIES AND TRANSFORMATION PARAMETERS WILL BE PROVIDED TO THE CONTRACTOR FOR USE IN CONSTRUCTION ACTIVITIES AT THE SITE. PREVIOUSLY USED OR ESTABLISHED CONTROL POINTS AND MONUMENTS SHALL NOT BE USED BY THE CONTRACTOR WITHOUT PRIOR APPROVAL BY TVA SURVEYING DEPARTMENT.

REFERENCE KEY

PROJECT REVISION HISTORY

REV. NO.	DATE	ISSUED BY	DESIGNED BY	DRAWN BY	CHECKED BY	SUPV. BY	REVISED BY	APPROVED BY	ISSUED BY
R 1	09/30/10	RGS	RGS	SHB	SHB	RLS	MST	JCK	
REVISION NO. 1									
R 2	11/23/10	RGS	RGS	SHB	SHB	RLS	MST	JCK	
REVISION NO. 2									
R 3	06/15/11	RGS	RGS	SHB	SHB	RLS	MST	JCK	
REVISION NO. 3									
R 4	07/01/11	RGS	RGS	SHB	SHB	RLS	MST	JCK	
REVISION NO. 4									
R 5	02/13/12	RGS	RRP	PJC	SHB	RLS	MST	JCK	
ISSUED AS-BUILT AS PER WORK PLAN B (JOF-100716-WP-B)									
R 0	07/16/10	RGS	IPS	JWH	SHB	RLS	MST	JCK	
ISSUED FOR CONSTRUCTION									

FOR SUPPORTING DESIGN CALCULATIONS
SEE FPGJOFFESCDX00000020100007



Stantec Consulting Services Inc.
801 Grassmere Park Road
Suite 22
Nashville, Tennessee 37211
Tel. 615.885.1144
Fax 615.885.1102
www.stantec.com

SCALE: 1"=60'
EXCEPT AS NOTED

YARD
DUPONT DREDGE CELL - PERMIT # IDL 43-102-0082

CAP IMPROVEMENTS
LAYOUT PLAN
WORK PLAN 8 (JOF-100716-WP-8)

DISCIPLINE INTERFERENCE

DESIGNED BY: R.G. SCHUFF	DRAWN BY: P. SILLPACHARN	CHECKED BY: J.W. HALL	SUPERVISED BY: S.H. BICKEL	REVIEWED BY: R.L. SANCHEZ	APPROVED BY: M.S. TURNBOW	ISSUED BY: J.G. KAMMEYER
--------------------------	--------------------------	-----------------------	----------------------------	---------------------------	---------------------------	--------------------------

JOHNSONVILLE FOSSIL PLANT
TENNESSEE VALLEY AUTHORITY
FOSSIL AND HYDRO ENGINEERING

AUTOCAD R 2000 DATE 07/16/10 49 C 10W217-04 R 5

GRAPHIC SCALE: 1" = 60'
CONTOUR INTERVAL = 2 FEET

RECORD DRAWING

A

B

C

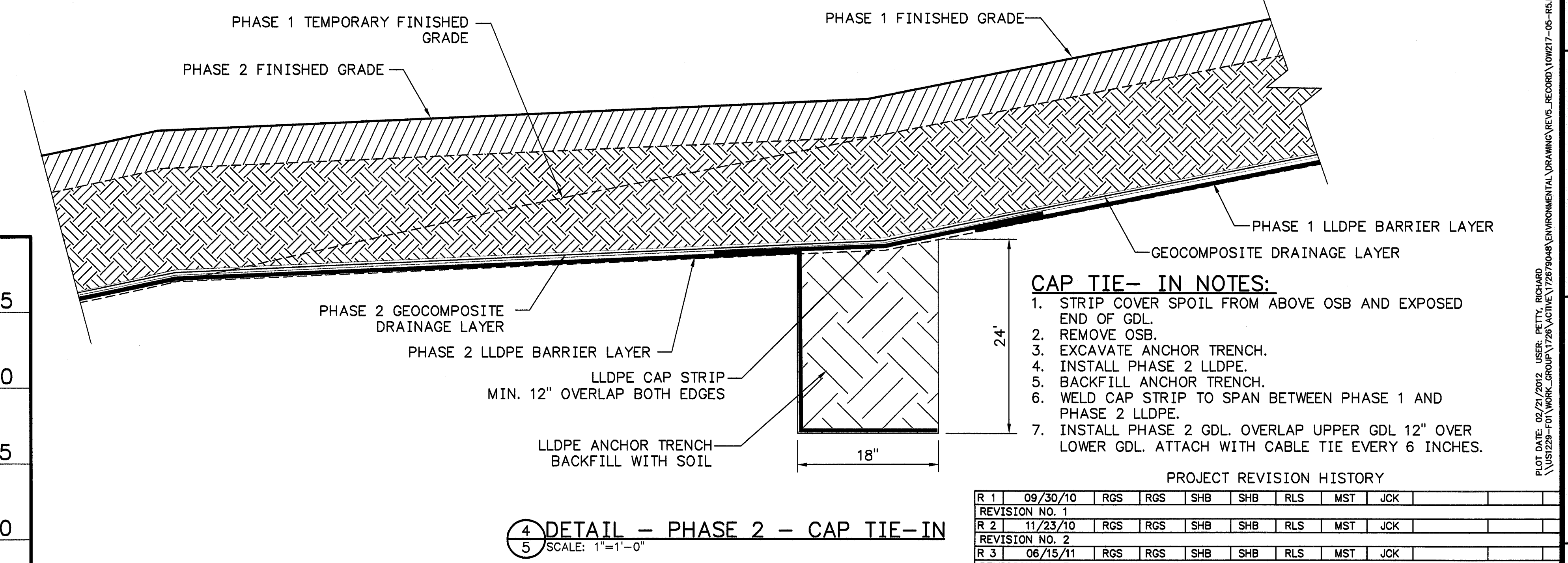
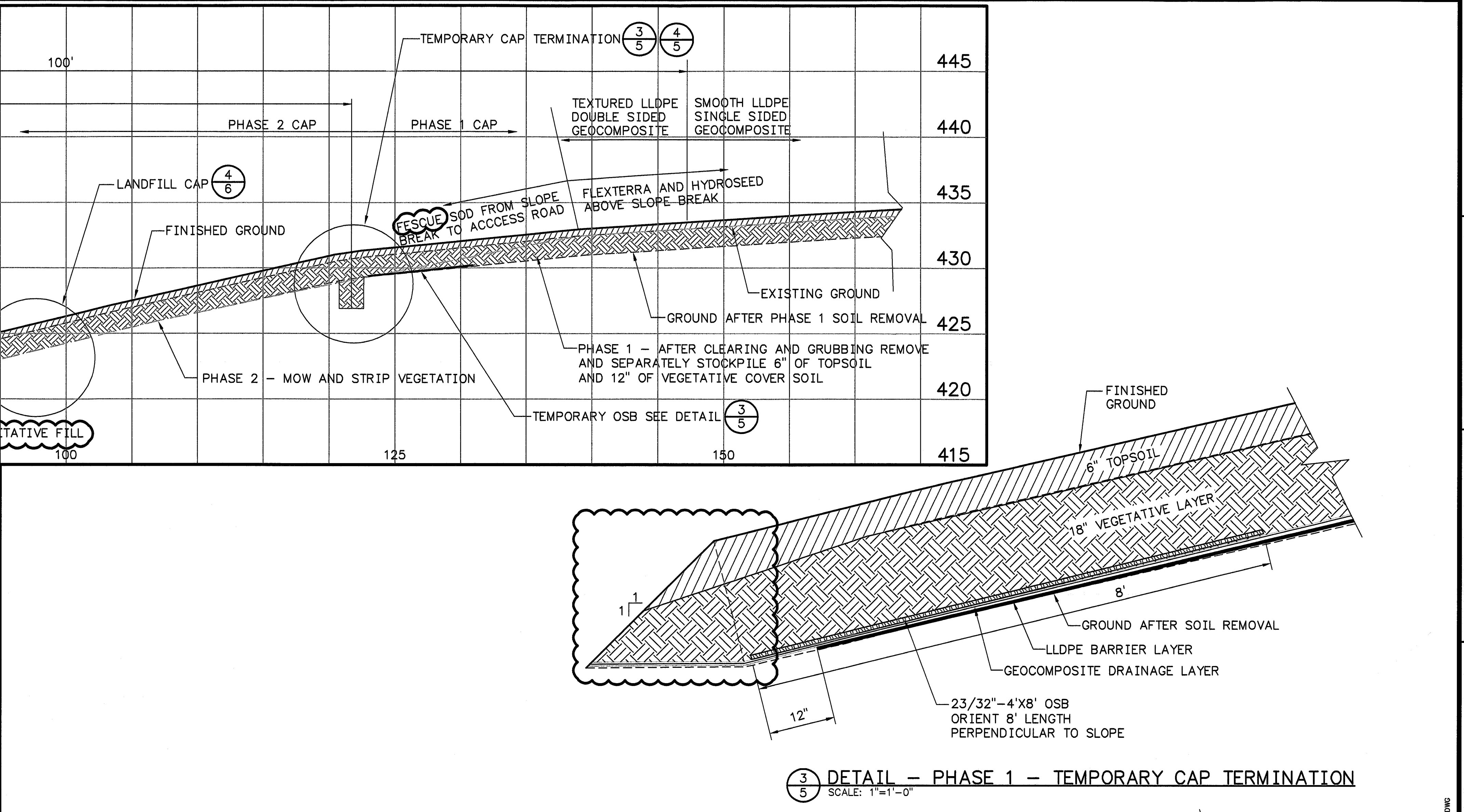
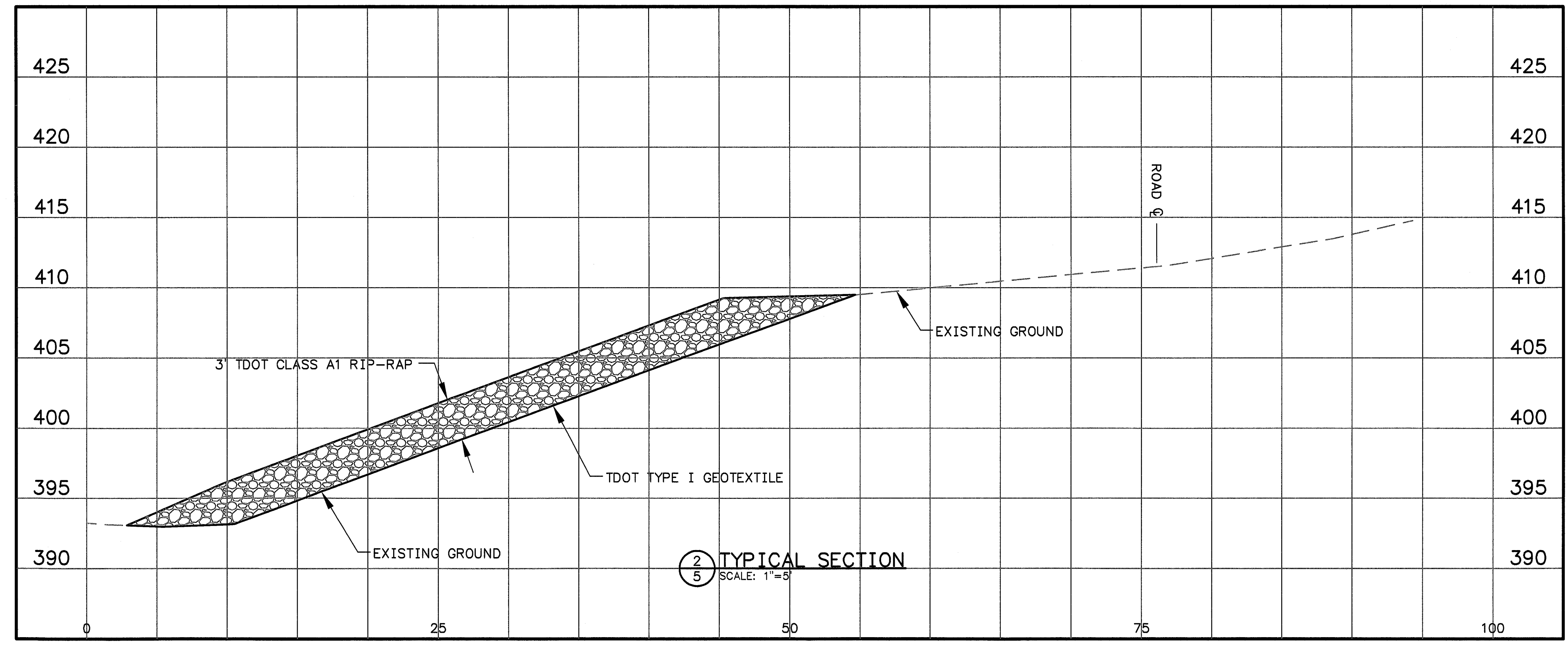
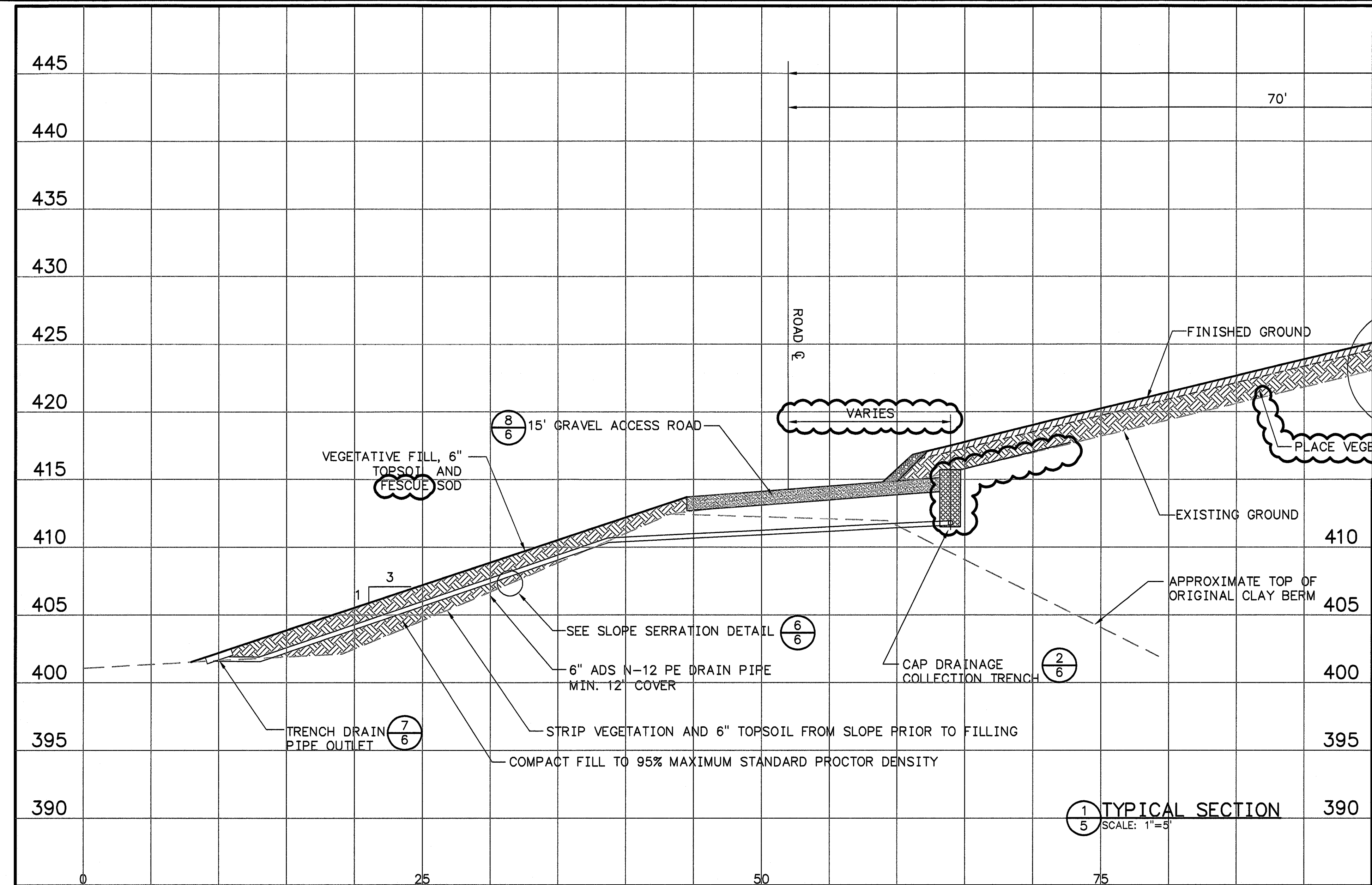
D

E

F

G

H

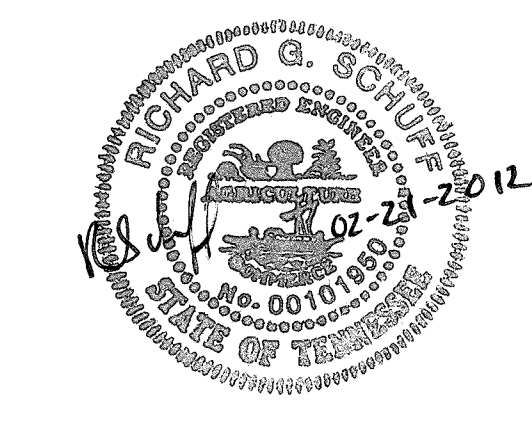


- CAP TIE-IN NOTES:**
1. STRIP COVER SPOIL FROM ABOVE OSB AND EXPOSED END OF GDL.
 2. REMOVE OSB.
 3. EXCAVATE ANCHOR TRENCH.
 4. INSTALL PHASE 2 LLDPE.
 5. BACKFILL ANCHOR TRENCH.
 6. WELD CAP STRIP TO SPAN BETWEEN PHASE 1 AND PHASE 2 LLDPE.
 7. INSTALL PHASE 2 GDL. OVERLAP UPPER GDL 12" OVER LOWER GDL. ATTACH WITH CABLE TIE EVERY 6 INCHES.

PROJECT REVISION HISTORY

REV. NO.	DATE	DRWN	CHKD	SUPV	RYND	APPR	ISSD	PROJECT	AS CONST	BY
R 1	09/30/10	RGS	RGS	SHB	SHB	RLS	MST	JCK		
REVISION NO. 1										
R 2	11/23/10	RGS	RGS	SHB	SHB	RLS	MST	JCK		
REVISION NO. 2										
R 3	06/15/11	RGS	RGS	SHB	SHB	RLS	MST	JCK		
REVISION NO. 3										
R 4	07/01/11	RGS	RGS	SHB	SHB	RLS	MST	JCK		
REVISION NO. 4										
R 5	02/13/12	RGS	RRP	PJC	SHB	RLS	MST	JCK		
ISSUED AS-BUILT AS PER WORK PLAN 8 (JOF-100716-WP-8)										
R 0	07/16/10	RGS	IPS	JWH	SHB	RLS	MST	JCK		
ISSUED FOR CONSTRUCTION										

FOR SUPPORTING DESIGN CALCULATIONS
SEE FPGJOFFESCDX00000020100007



Stantec Consulting Services Inc.
801 Grassmere Park Road
Suite 22
Nashville, Tennessee 37211
Tel. 615.885.1144
Fax 615.885.1102
www.stantec.com

SCALE: AS SHOWN EXCEPT AS NOTED

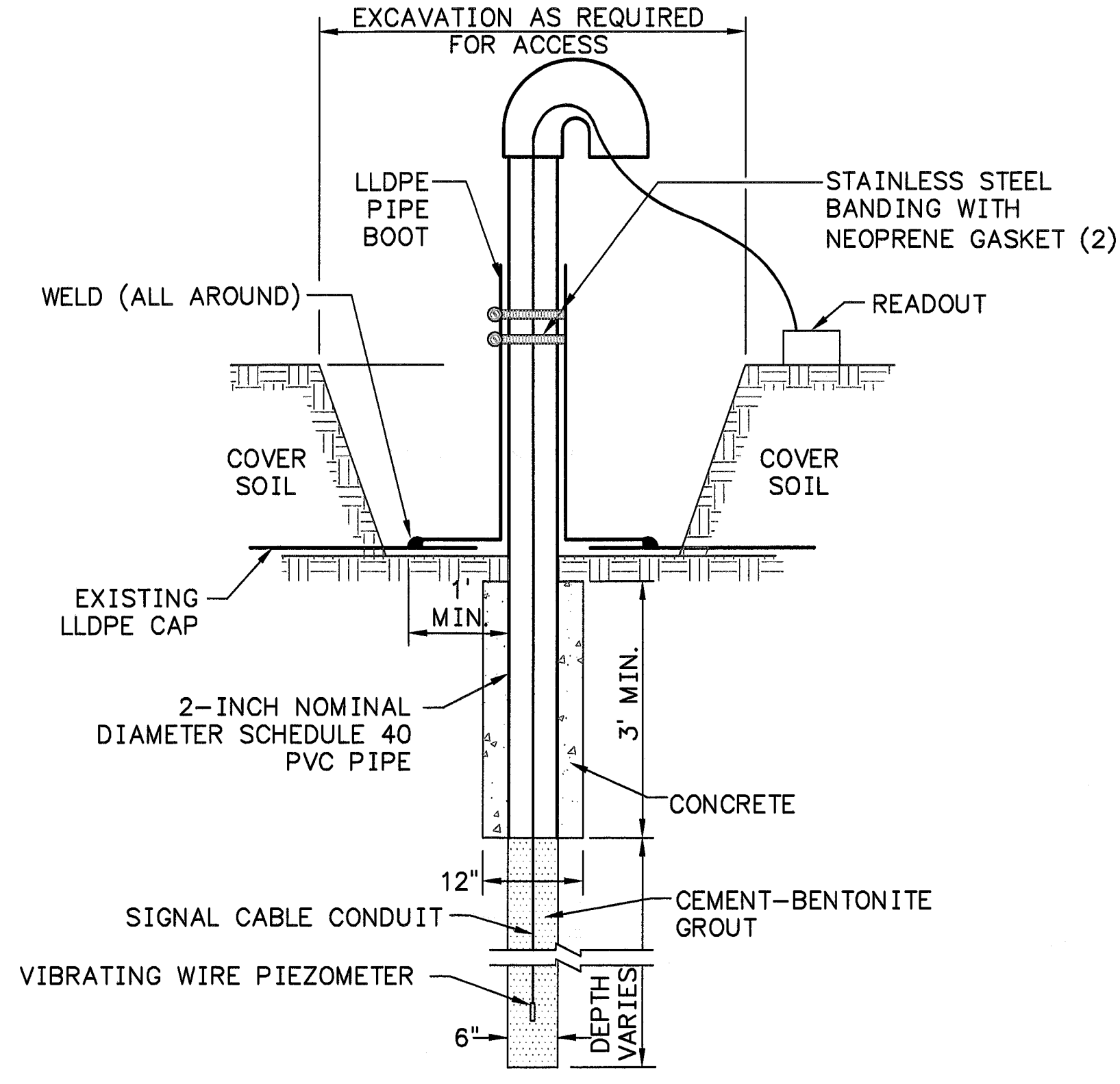
**YARD
DUPONT DREDGE CELL - PERMIT # IDL 43-102-0082
CAP IMPROVEMENTS
SECTIONS
WORK PLAN 8 (JOF-100716-WP-8)**

DESIGNED BY: R.G. SCHUFF	DRAWN BY: P. SILLPACHARN	CHECKED BY: J.W. HALL	SUPERVISED BY: S.H. BICKEL	REVIEWED BY: R.L. SANCHEZ	APPROVED BY: M.S. TURNBOW	ISSUED BY: J.C. KAMMEYER
-----------------------------	-----------------------------	--------------------------	-------------------------------	------------------------------	------------------------------	-----------------------------

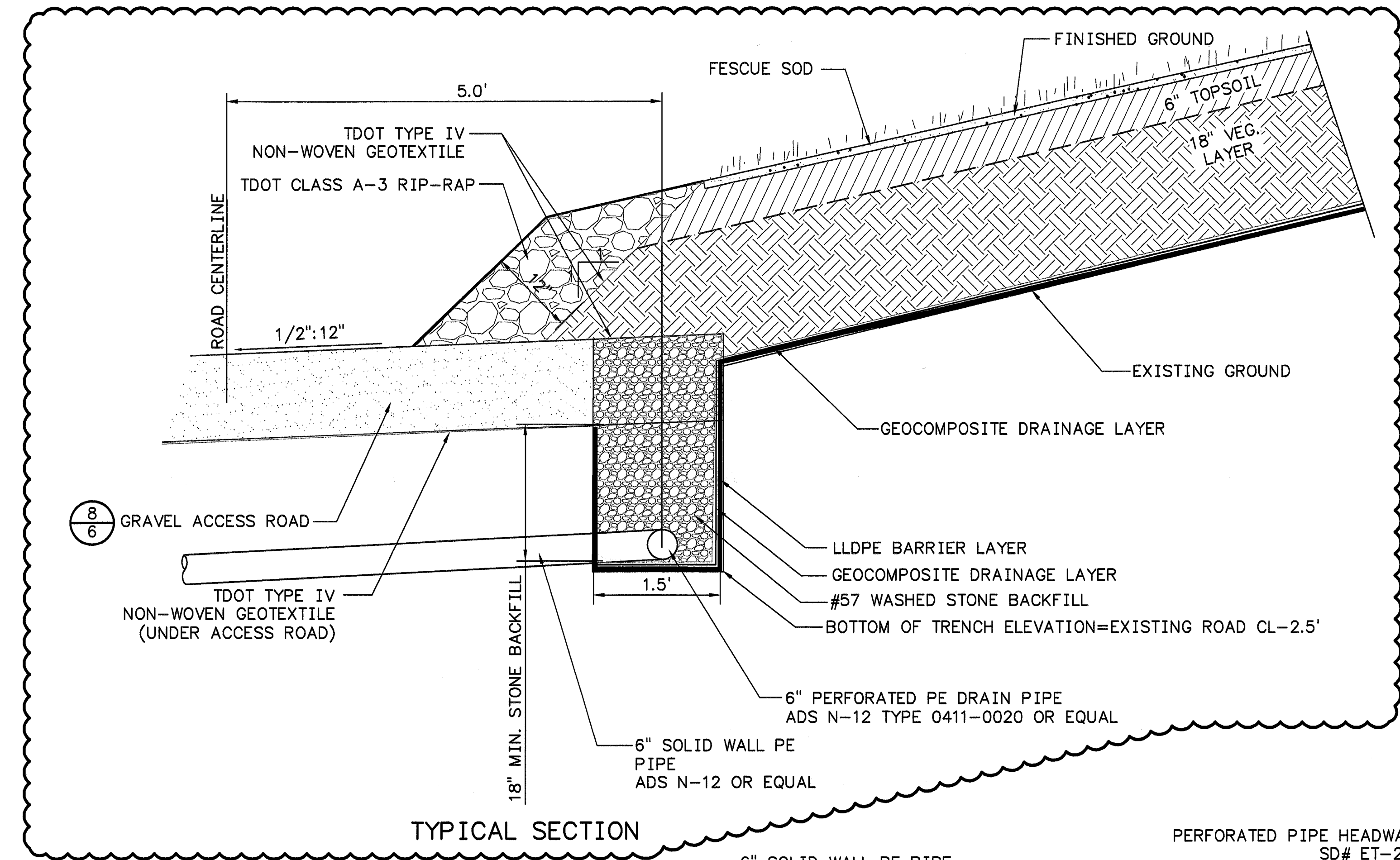
**JOHNSONVILLE FOSSIL PLANT
TENNESSEE VALLEY AUTHORITY
FOSSIL AND HYDRO ENGINEERING**

SECTION OR DETAIL NO.
SHEET WHERE SHOWN
REFERENCE KEY

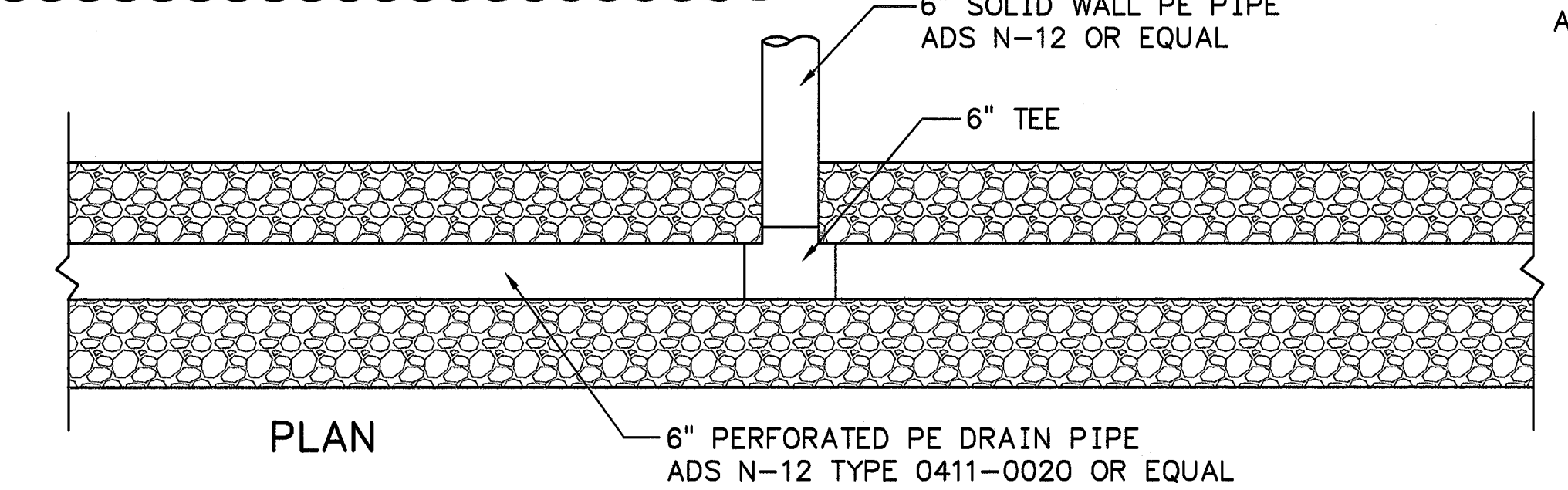
RECORD DRAWING



10
6
DETAIL - PIEZOMETER INSTALLATION
NOT TO SCALE

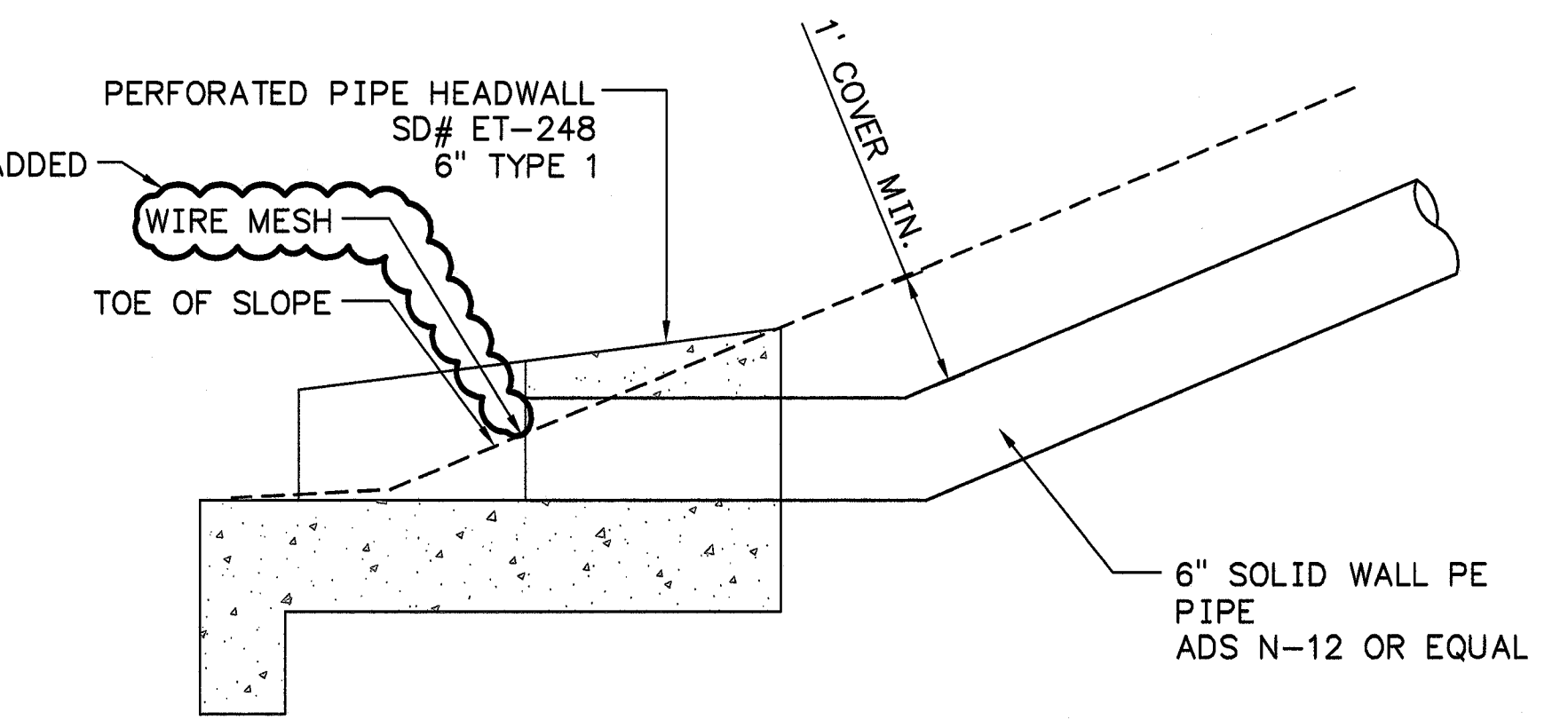


TYPICAL SECTION

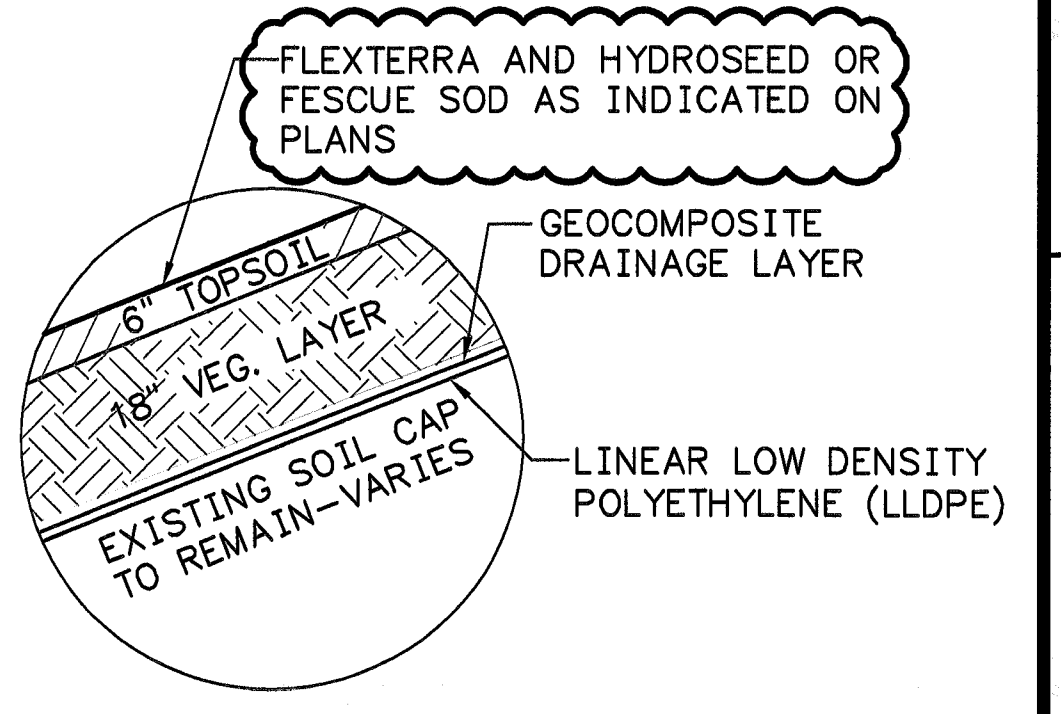


PLAN

2
6
DETAIL - CAP DRAINAGE COLLECTION TRENCH
SCALE: 1"=1'-0"



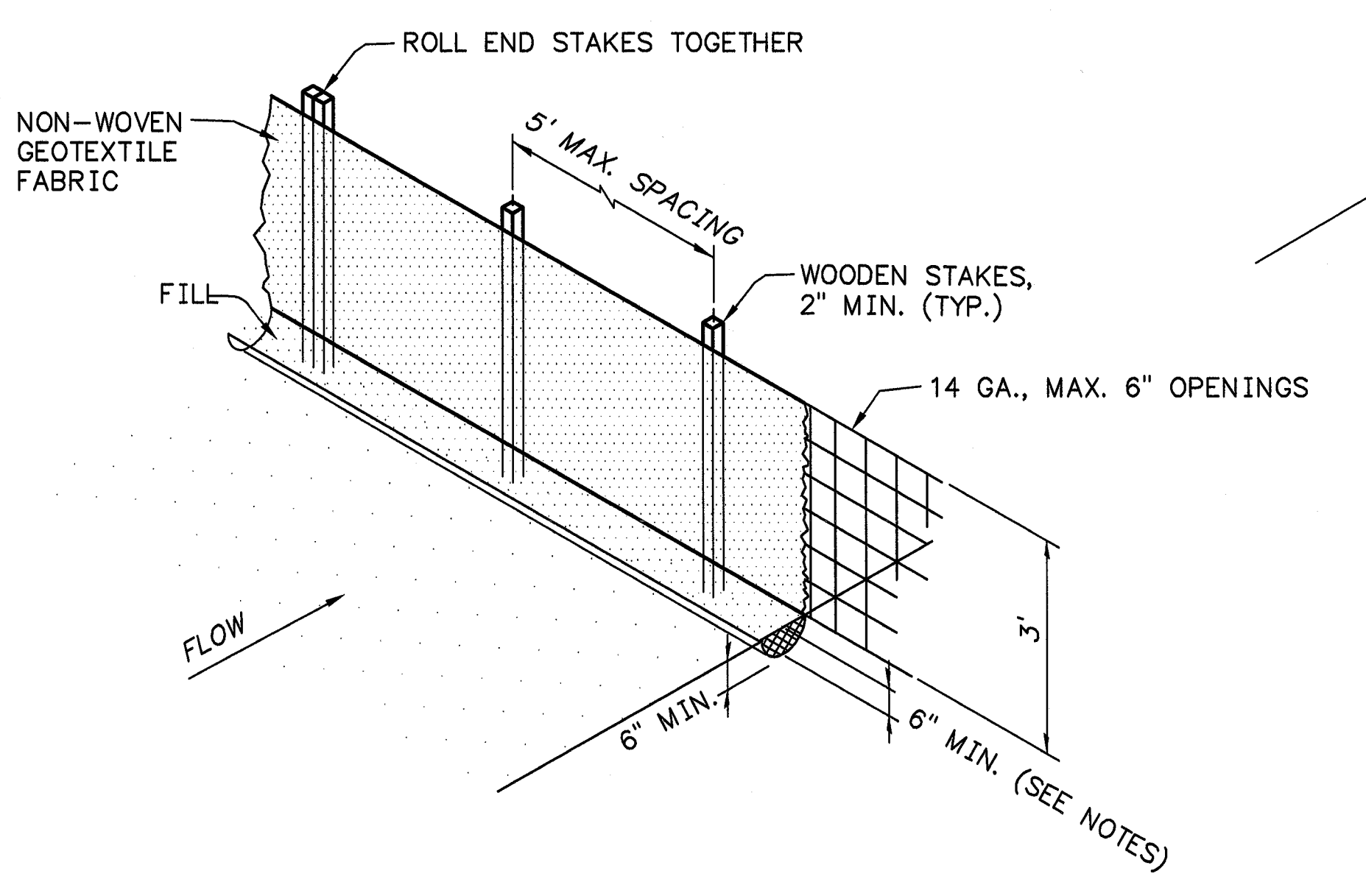
7
6
DETAIL - TRENCH DRAIN PIPE OUTLET
NOT TO SCALE



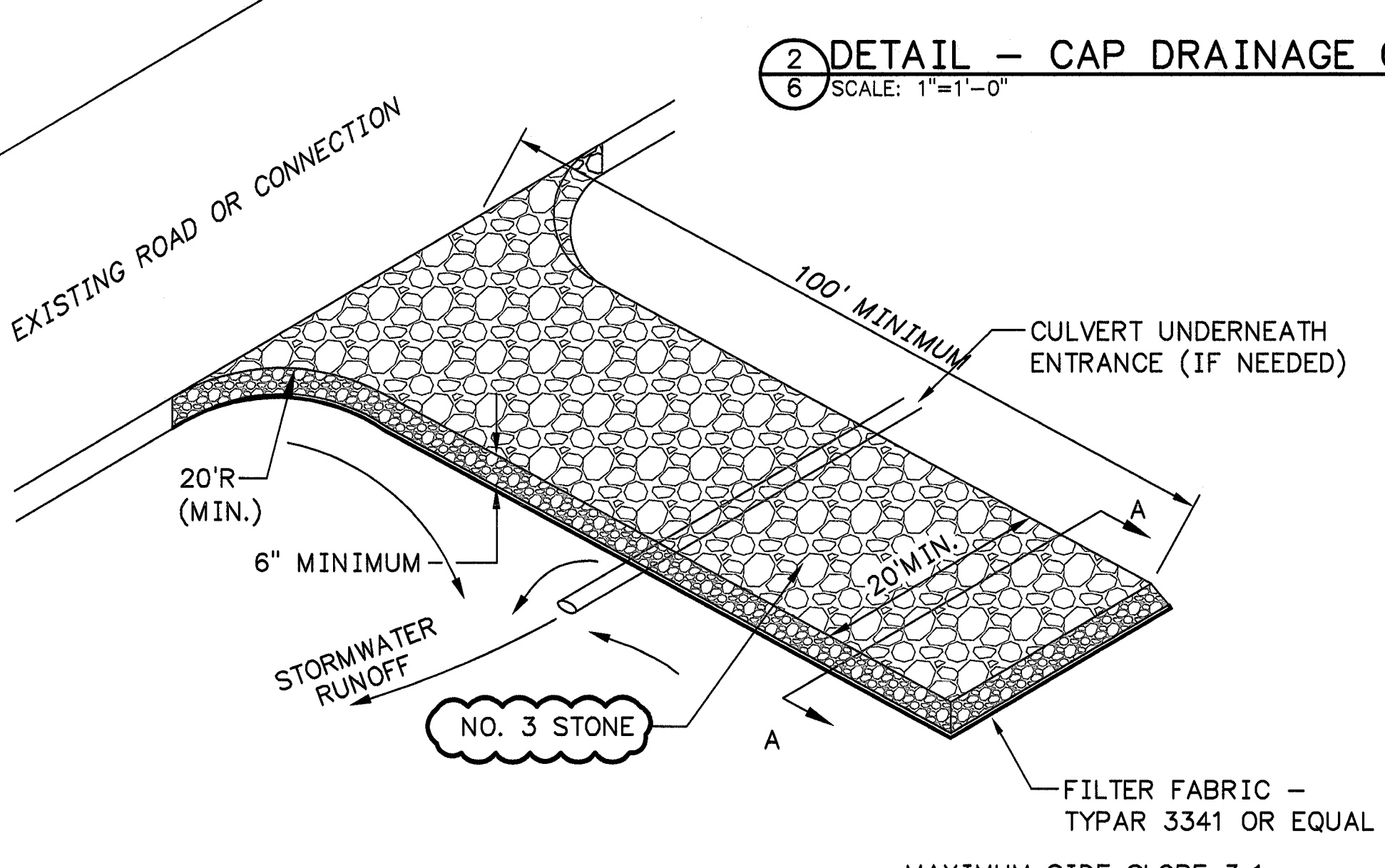
4
6
DETAIL - CAP
NOT TO SCALE

TABLE ADDED

GEOGRID INSTALLATION SUMMARY	
STATION	LAYERS INSTALLED
39+00 - 1+80	1
1+80 - 5+40	4
10+80 - 13+50	4
13+50 - 24+00	2
24+00 - 29+40	1



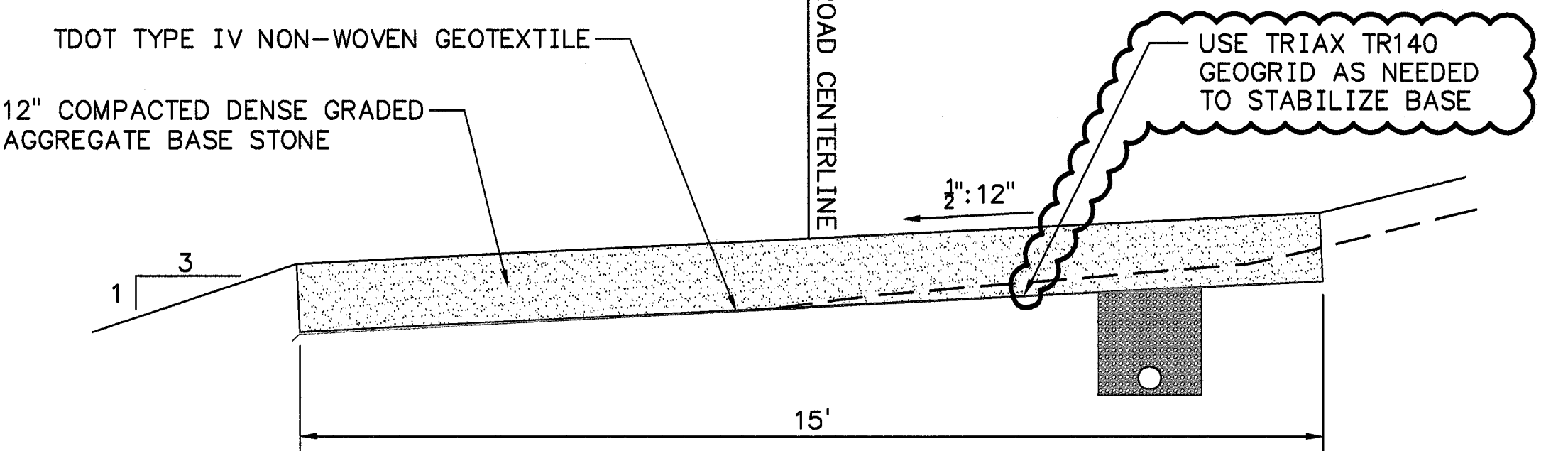
5
6
DETAIL - SILT FENCE
NOT TO SCALE



SECTION A - A

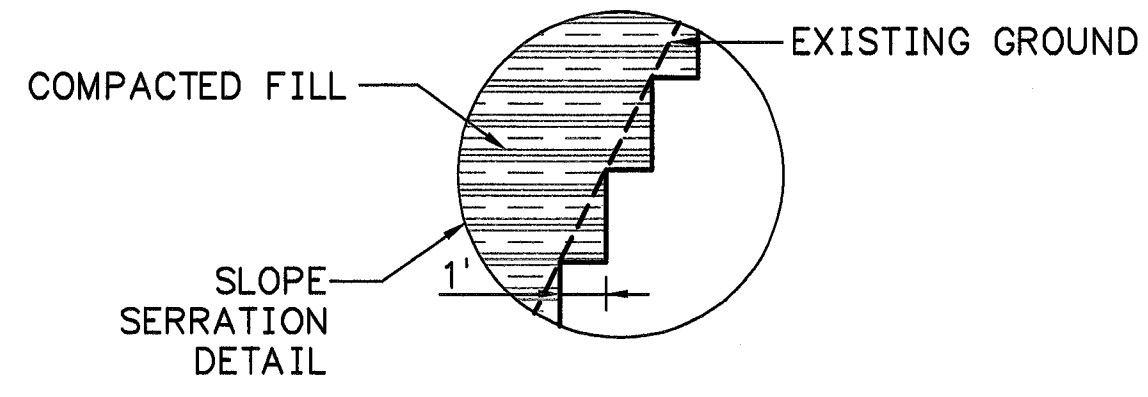
- NOTES:
- CONSTRUCTION ENTRANCE SHALL BE LOCATED WHERE TRAFFIC WILL BE ENTERING OR EXITING THE CONSTRUCTION SITE.
 - CONSTRUCTION ENTRANCE SHALL BE PROPERLY MAINTAINED IN A CONDITION WHICH WILL PREVENT TRACKING OR FLOWING OF SEDIMENT ONTO PUBLIC ROADS/STREETS. PERIODIC TOP DRESSING AND ADDITIONAL STONE IS REQUIRED TO MAINTAIN ENTRANCE IN GOOD WORKING CONDITION.
 - ALL SEDIMENTS SPILLED, WASHED OR TRACKED ONTO PUBLIC ROADWAY SHALL BE CLEANED AND REMOVED IMMEDIATELY.
 - WIDTH SHALL BE INCREASED AS NEEDED TO ACCOMMODATE ANTICIPATED TRAFFIC.

9
6
DETAIL - CONSTRUCTION ENTRANCE
NOT TO SCALE



8
6
DETAIL - GRAVEL PERIMETER ROAD
SCALE: 1/2"=1'-0"

NOTE: THE EXISTING SLOPE SHOULD BE "SERRATED" TO PROMOTE COMPACTION. THE SERRATIONS SHOULD BE EXCAVATED APPROXIMATELY 1' INTO THE EXISTING SLOPE. EACH SERRATION SHOULD BE BACKFILLED WITH COMPACTED FILL PRIOR TO EXCAVATION OF THE SERRATION ABOVE.



6
6
DETAIL - SLOPE SERRATION
NOT TO SCALE

- NOTES:
- ALL EARTHWORK ACTIVITY SHALL BE LOCATED UPHILL OF SILT FENCE.
 - SILT FENCE SHALL BE INSTALLED ACROSS SLOPES ON THE CONTOUR LINE.
 - ATTACH FILTER FABRIC TO WOODEN STAKES WITH STAPLES, HOGRINGS OR OTHER MATERIALS APPROVED BY THE ENGINEER.
 - WOODEN STAKES SHALL BE INSTALLED ON THE DOWNHILL SIDE OF FILTER FABRIC.
 - BURY THE BOTTOM 12 INCHES OF FILTER FABRIC IN A 6"X6" TRENCH (TO PREVENT SEDIMENT FROM ESCAPING UNDER THE FENCE) AND BACK FILL WITH SOIL.
 - JOIN SILT FENCE SECTIONS BY ROLLING END STAKES TOGETHER TO CREATE AN UNBROKEN SEDIMENT BARRIER.

PROJECT REVISION HISTORY

REV. NO.	DATE	ISSUED FOR CONSTRUCTION	DRN	CHKD	SUPV	INVD	APPD	ISSD	PROJECT	AS CONST	BY
R 1	09/30/10		RGS	SHB	SHB	RLS	MST	JCK			
REVISION NO. 1											
R 2	11/23/10		RGS	SHB	SHB	RLS	MST	JCK			
REVISION NO. 2											
R 3	06/15/11		RGS	SHB	SHB	RLS	MST	JCK			
REVISION NO. 3											
R 4	07/01/11		RGS	SHB	SHB	RLS	MST	JCK			
REVISION NO. 4											

FOR SUPPORTING DESIGN CALCULATIONS SEE FPGJOFFESCDX0000020100007

SCALE: NONE EXCEPT AS NOTED

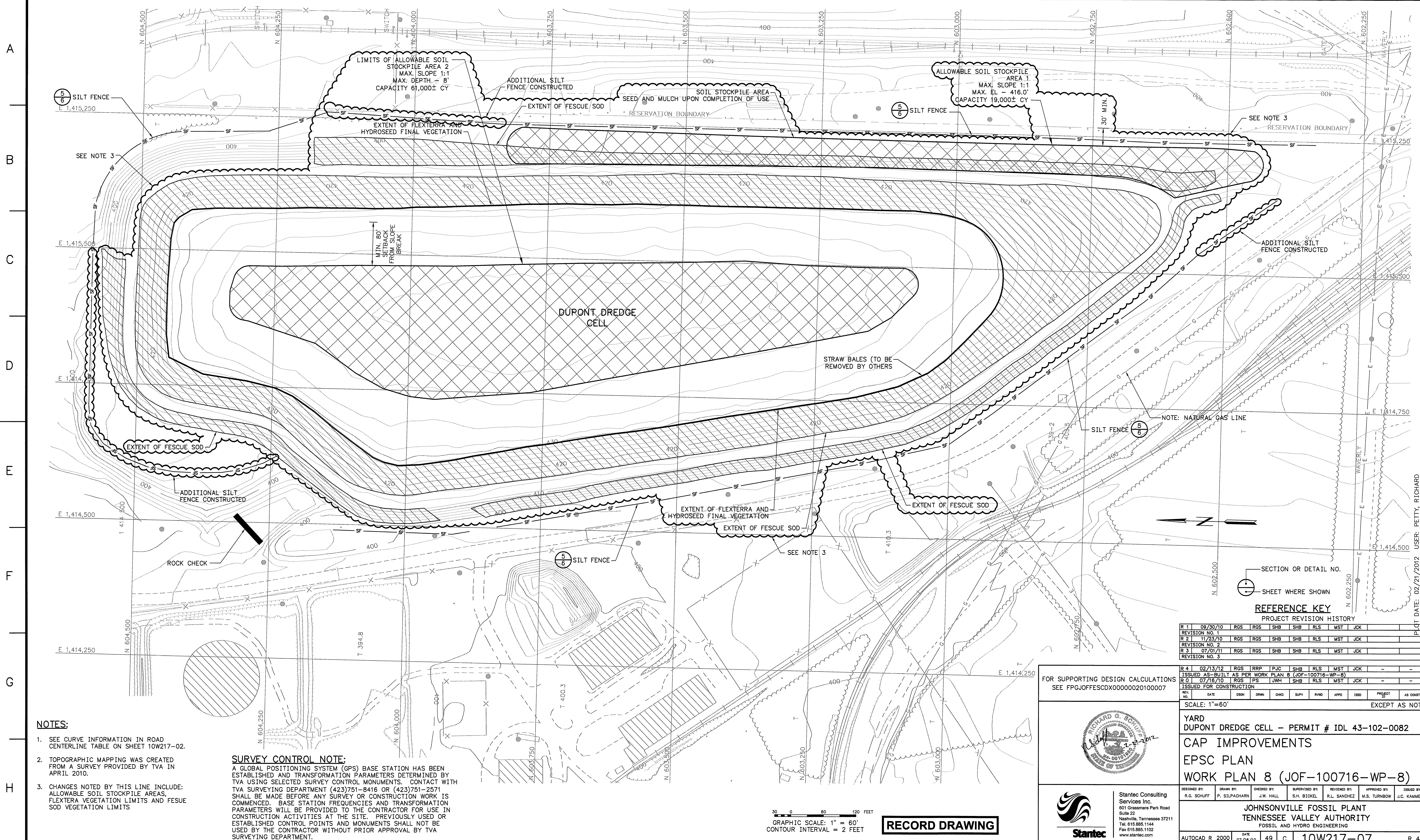
YARD
DUPONT DREDGE CELL - PERMIT # IDL 43-102-0082
CAP IMPROVEMENTS
DETAILS
WORK PLAN 8 (JOF-100716-WP-8)

DESIGNED BY: R.G. SCHUFF
DRAWN BY: P. SILPACHARN
CHECKED BY: J.W. HALL
SUPERVISED BY: S.H. BICKEL
REVIEWED BY: R.L. SANCHEZ
APPROVED BY: M.S. TURNBOW
ISSUED BY: J.C. KAMMEYER

Stantec Consulting Services Inc.
601 Grassmere Park Road
Suite 22
Nashville, Tennessee 37211
Tel. 615.885.1144
Fax 615.885.1102
www.stantec.com

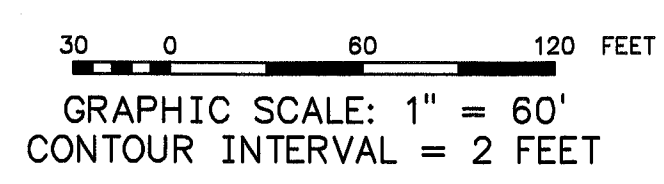
RECORD DRAWING

NO.	DATE	ISSUED FOR CONSTRUCTION	DRN	CHKD	SUPV	INVD	APPD	ISSD	PROJECT	AS CONST	BY
R 5	02/13/12		RGS	RRP	PJC	SHB	RLS	MST	JCK		
REVISION NO. 5											
R 0	07/16/10		RGS	PS	JWH	SHB	RLS	MST	JCK		
ISSUED FOR CONSTRUCTION											



- NOTES:**
- SEE CURVE INFORMATION IN ROAD CENTERLINE TABLE ON SHEET 10W217-02.
 - TOPOGRAPHIC MAPPING WAS CREATED FROM A SURVEY PROVIDED BY TVA IN APRIL 2010.
 - CHANGES NOTED BY THIS LINE INCLUDE: ALLOWABLE SOIL STOCKPILE AREAS, FLEXTERA VEGETATION LIMITS AND FESUE SOD VEGETATION LIMITS

SURVEY CONTROL NOTE:
 A GLOBAL POSITIONING SYSTEM (GPS) BASE STATION HAS BEEN ESTABLISHED AND TRANSFORMATION PARAMETERS DETERMINED BY TVA USING SELECTED SURVEY CONTROL MONUMENTS. CONTACT WITH TVA SURVEYING DEPARTMENT (423)751-8416 OR (423)751-2571 SHALL BE MADE BEFORE ANY SURVEY OR CONSTRUCTION WORK IS COMMENCED. BASE STATION FREQUENCIES AND TRANSFORMATION PARAMETERS WILL BE PROVIDED TO THE CONTRACTOR FOR USE IN CONSTRUCTION ACTIVITIES AT THE SITE. PREVIOUSLY USED OR ESTABLISHED CONTROL POINTS AND MONUMENTS SHALL NOT BE USED BY THE CONTRACTOR WITHOUT PRIOR APPROVAL BY TVA SURVEYING DEPARTMENT.



RECORD DRAWING

SECTION OR DETAIL NO. SHEET WHERE SHOWN

REFERENCE KEY
 PROJECT REVISION HISTORY

REV. NO.	DATE	DSGN	DRWN	CHKD	SUPV	RWNG	APPR	ISSD	PROJECT	AS CONST	DISCIPLINE
R 1	09/30/10	RGS	SHB	SHB	RLS	MST	JCK				
R 2	11/23/10	RGS	SHB	SHB	RLS	MST	JCK				
R 3	07/01/11	RGS	SHB	SHB	RLS	MST	JCK				
R 4	02/13/12	RGS	RRP	PJC	SHB	RLS	MST	JCK			
R 0	07/16/10	RGS	JWH	SHB	RLS	MST	JCK				

FOR SUPPORTING DESIGN CALCULATIONS SEE FPGJOFFESCXD0000020100007

Stantec
 Stantec Consulting Services Inc.
 601 Grassmere Park Road
 Suite 22
 Nashville, Tennessee 37211
 Tel. 615.885.1144
 Fax 615.885.1102
 www.stantec.com

SCALE: 1"=60'
 EXCEPT AS NOTED

YARD DUPONT DREDGE CELL - PERMIT # IDL 43-102-0082

CAP IMPROVEMENTS

EPSC PLAN

WORK PLAN 8 (JOF-100716-WP-8)

JOHNSONVILLE FOSSIL PLANT
 TENNESSEE VALLEY AUTHORITY
 FOSSIL AND HYDRO ENGINEERING



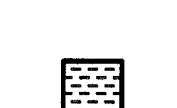



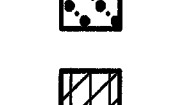

DESIGNED BY: R.G. SCHUFF
 DRAWN BY: P. SILLPACHARN
 CHECKED BY: J.W. HALL
 SUPERVISED BY: S.H. BICKEL
 REVIEWED BY: R.L. SANCHEZ
 APPROVED BY: M.S. TURNBOW
 ISSUED BY: J.C. KAMMEYER

AUTOCAD R 2000 DATE: 07/16/10 49 C 10W217-07 R 4

PLOT DATE: 02/21/2012 USER: PETTY, RICHARD
 \NS1229-F01\WORK_GROUP\1726\ACTIVE\172679048\ENVIRONMENTAL\DRAWING\REVA_RECORD\10W217-07-R4.DWG

BORING LOCATIONS ARE SHOWN ON SHEET 10W217-03.

LEGEND

-  TOPSOIL
-  FAT CLAY, BROWN TO GRAYISH BROWN, MOIST TO SATURATED
-  COMPACTED ASH, GRAY TO DARK GRAY AND BLACK, DAMP TO WET, SOFT TO STIFF
-  FLY ASH, GRAY TO DARK GRAY, DAMP TO WET
-  LEAN CLAY, BROWN TO GRAY, MOIST TO SATURATED STIFF, WITH SANDY AND SILTY ZONES
-  CLAYEY SAND, FINE GRAINED, BROWN TO REDDISH BROWN, DENSE TO VERY DENSE
-  SAND AND GRAVEL, COURSE GRAINED, BROWN, SATURATED, DENSE TO VERY DENSE
-  SILTY CLAY, YELLOWISH TAN, VERY MOIST
- WOH WEIGHT OF HAMMER
- WOR WEIGHT OF RODS
- SP STANDARD PENETRATION TEST INTERVAL
- U.T. UNDISTURBED THIN-WALLED (SHELBY) TUBE SAMPLE
- N₆₀ STANDARD PENETRATION TEST BLOW COUNT WITH A 140 LB SAFETY HAMMER (BLOWS/FT.)
- N₁₀₀ STANDARD PENETRATION TEST BLOW COUNT WITH A 140 LB AUTOMATIC HAMMER (BLOWS/FT.)
- N.M.C. NATURAL MOISTURE CONTENT (%)
- U.W.W. UNIT WEIGHT WET (LBS./CU.FT.)
- U.W.D. UNIT WEIGHT DRY (LBS./CU.FT.)
- U.C./U.U. UNCONFINED COMPRESSIVE STRENGTH (PSF)/ UNCONSOLIDATED UNDRAINED TRIAXIAL TEST (PSF)
- 5/6/10 WATER LEVEL AND DATE RECORDED
- T.O.R. TOP OF ROCK (INDICATES THE BEGINNING OF ROCK-LIKE RESISTANCE TO THE ADVANCEMENT OF THE AUGERS. THIS MAY INDICATE THE BEGINNING OF WEATHERED BEDROCK, BOULDERS OR ROCK REMNANTS. AN EXACT DETERMINATION CANNOT BE MADE WITHOUT PERFORMING ROCK CORING.)
- B.C. BEGIN ROCK CORE
- R.Q.D. ROCK QUALITY DESIGNATION (%)
- REC. RECOVERY (%)
- REFUSAL AUGER REFUSAL USING A CARBIDE-TIPPED TOOTH AUGER BIT
- NO REFUSAL NO REFUSAL ENCOUNTERED
- * STANDARD PENETRATION TEST (SPT) TERMINATED PER ASTM D 1586-99. REFER TO TYPED BORING LOG.

NOTE:

1. A GEOTECHNICAL REPORT TITLED "REPORT OF GEOTECHNICAL EXPLORATION AND EVALUATION OF SLOPE STABILITY" DATED APRIL 19, 2010 AND PREPARED BY STANTEC IS AVAILABLE FROM THE ENGINEER OR OWNER.
2. THE SUBSURFACE INFORMATION AND DATA FURNISHED HEREIN ARE NOT INTENDED AS REPRESENTATIVE OR WARRANTIES BUT ARE FURNISHED FOR INFORMATION ONLY. IT SHALL BE DISTINCTLY UNDERSTOOD THAT THE OWNER, ENGINEER OR GEOTECHNICAL ENGINEER WILL NOT BE RESPONSIBLE FOR ANY DEDUCTION, INTERPRETATION OR CONCLUSION DRAWN THEREFROM BY THE CONTRACTOR. THE INFORMATION IS MADE AVAILABLE IN ORDER THAT THE CONTRACTOR MAY HAVE READY ACCESS TO THE SAME INFORMATION AVAILABLE TO THE OWNER, ENGINEER AND GEOTECHNICAL ENGINEER AND IS NOT PART OF THIS CONTRACT.
3. BORING DATA ON P-1 AND P-4 FROM "HYDROLOGIC EVALUATION OF TREE PLANTATION CONTROL OF ASHFILL SEEPAGE", OCTOBER 2005, TVA (WR2005-1-30-117) AVAILABLE FROM OWNER AND ENGINEER.

PROJECT REVISION HISTORY

REV. NO.	DATE	BY	DESCRIPTION
R 1	09/30/10	RGS	RGS SHB SHB RLS MST JCK
R 2	11/23/10	RGS	RGS SHB SHB RLS MST JCK
R 3	07/01/11	RGS	RGS SHB SHB RLS MST JCK

REV. NO.	DATE	BY	DESCRIPTION
R 4	02/13/12	RGS	RRP PJC SHB RLS MST JCK
R 0	07/16/10	RGS	PS JWH SHB RLS MST JCK

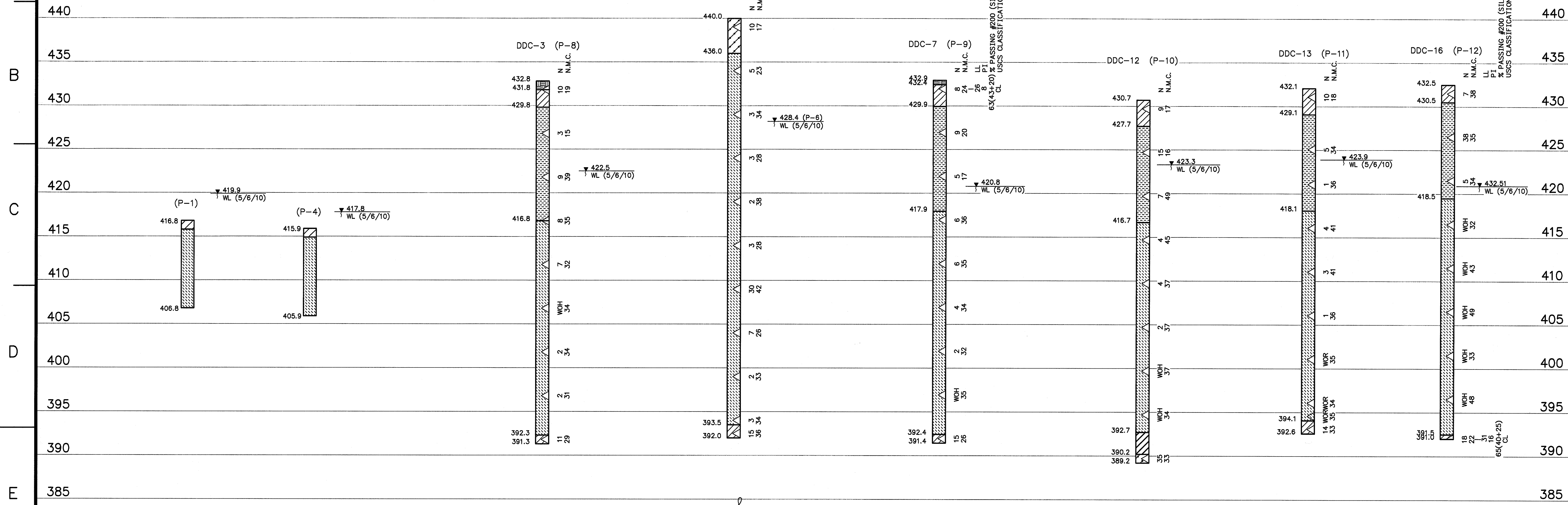
SCALE: 1"=10' EXCEPT AS NOTED

YARD
DUPONT DREDGE CELL - PERMIT # IDL 43-102-0082
CAP IMPROVEMENTS
BORING LOGS
WORK PLAN 8 (JOF-100716-WP-8)

DESIGNED BY: R.G. SCHUFF
DRAWN BY: P. SILLPACHARN
CHECKED BY: J.W. HALL
SUPERVISED BY: S.H. BICKEL
REVIEWED BY: R.L. SANCHEZ
APPROVED BY: M.S. TURNBOW
ISSUED BY: J.C. KAMMEYER

JOHNSONVILLE FOSSIL PLANT
TENNESSEE VALLEY AUTHORITY
FOSSIL AND HYDRO ENGINEERING

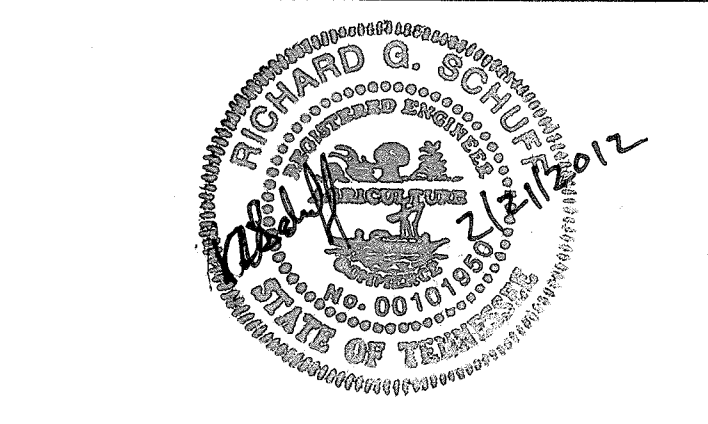
AUTOCAD R 2000 DATE 07/16/10 49 C 10W217-08 R 4



CONTRACTOR SHOULD TAKE NOTE THAT PIEZOMETER WATER LEVELS IN THE VICINITY OF THE PROPOSED LEACHATE COLLECTION TRENCH WERE ABOVE THE GROUND ELEVATION AS OF MAY 5, 2010 AND MAY CONTINUE TO BE SO THROUGHOUT THE CONSTRUCTION PERIOD.

LOGS OF BORINGS
SCALE: 1"=5' (VERTICAL ONLY)

RECORD DRAWING



Stantec Consulting Services Inc.
601 Grassmere Park Road
Suite 22
Nashville, Tennessee 37211
Tel. 615.885.1144
Fax 615.885.1102
www.stantec.com